

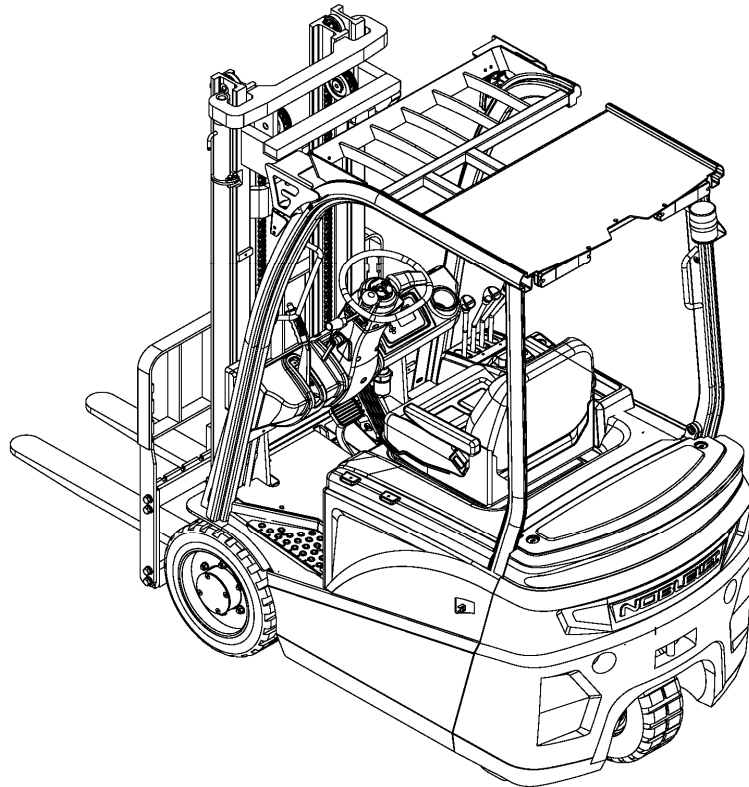
# NOBLELIFT



FE3R16N-BPT-002

## **Warning**

Operators should read and understand this manual and all warning labels on the forklift before using the forklift! Keep the manual for future reference!



# Parts List

FE3R16 N/E SERIES

Battery Counterbalanced Forklift Truck

---

**NOBLELIFT INTELLIGENT EQUIPMENT CO.,LTD.**

# Foreword

Welcome to use Noblelift counter balanced fork lift truck!

1、 This spare parts list includes all the parts of FE3R16 N/E series  
fork lift truck.

2、 The user can refer the list according to the catalogue page.

3、 When repairing or replacing the spare parts, please use correct  
spare parts to ensure the truck quality.

4、 When ordering parts, please write clearly the truck type,  
manufacturing NO, parts serial NO and order auantity.

Note: ▲ Do not provide spare parts separately.

5、 In order to further optimize the product, we reserve the right to  
change our products. and without prior notice to you, please  
understand. If you want to know the latest product information, you  
can get the latest information from the company's sales and spare  
parts company.

# contents

Preface.....	1
Directory.....	2-3
1 Frame assembly.....	4-5
2 Roof support and installation.....	6-7
3 Driving steering system.....	8-9
4 Bottom assembly.....	10-11
5 Battery boxcover.....	12-15
6 Right door.....	16-17
7 Left plate .....	18-19
8 Valve bonnet.....	20-21
9 Balanced reassembly.....	22-23
10 Corner sensor (optional).....	24-25
11 Lifting motor and installation... ..	26-27
12 Foot brake control.....	28-29
13 Foot brake control line.....	30-31
14 Hand brake control.....	32-33
15 Multiple directional control valve (bigeminy).....	34-35
16 Multiple directional control valve (trigeminy).....	36-39
17 Multiple directional control valve(four joint).....	40-43
18 Hydraulic system.....	44-47
19 Working tank and installation.....	48-49
20 Mast lifting pipeline (standard mast) .....	50-51
21 Mast lifting pipeline (two stage full free lift).....	52-53
22 Mast lifting pipeline (three stage full free lift).....	54-55
23 Side shifter and piping installation (standard mast) .....	56-57
24 Side shifter and piping installation (two stage full free) .....	58-61
25 Side-shifter and piping installation (three stage full free lift).....	62-65
26 Fork.....	66-67
27 Fork carrier (standard mast).....	68-69
28 Fork carrier (two stage full free).....	70-71
29 Fork carrier (three stage full free).....	72-73
30 Mast(standard mast).....	74-77
31 Mast (two stage full free).....	78-81
32 Mast(three stage full free).....	82-85
33 Lifting cylinder (standard mast) .....	86-89
34 Short lifting cylinder (two stage full free).....	90-93
35 Lifting cylinder (two stage full free) .....	94-97

36	Short lifting cylinder (three stage full free).....	98-99
37	Lifting cylinder (three stage full free).....	100-103
38	Tilted cylinder.....	104-105
39	Electrical system.....	106-109
40	Electronic control element (Curtis).....	110-111
41	Electronic control element (Inmotion) .....	112-113
42	Power connector assembly.....	114-115
43	Sign installation.....	116-117
44	Data nameplate.....	118-119

# Frame assembly

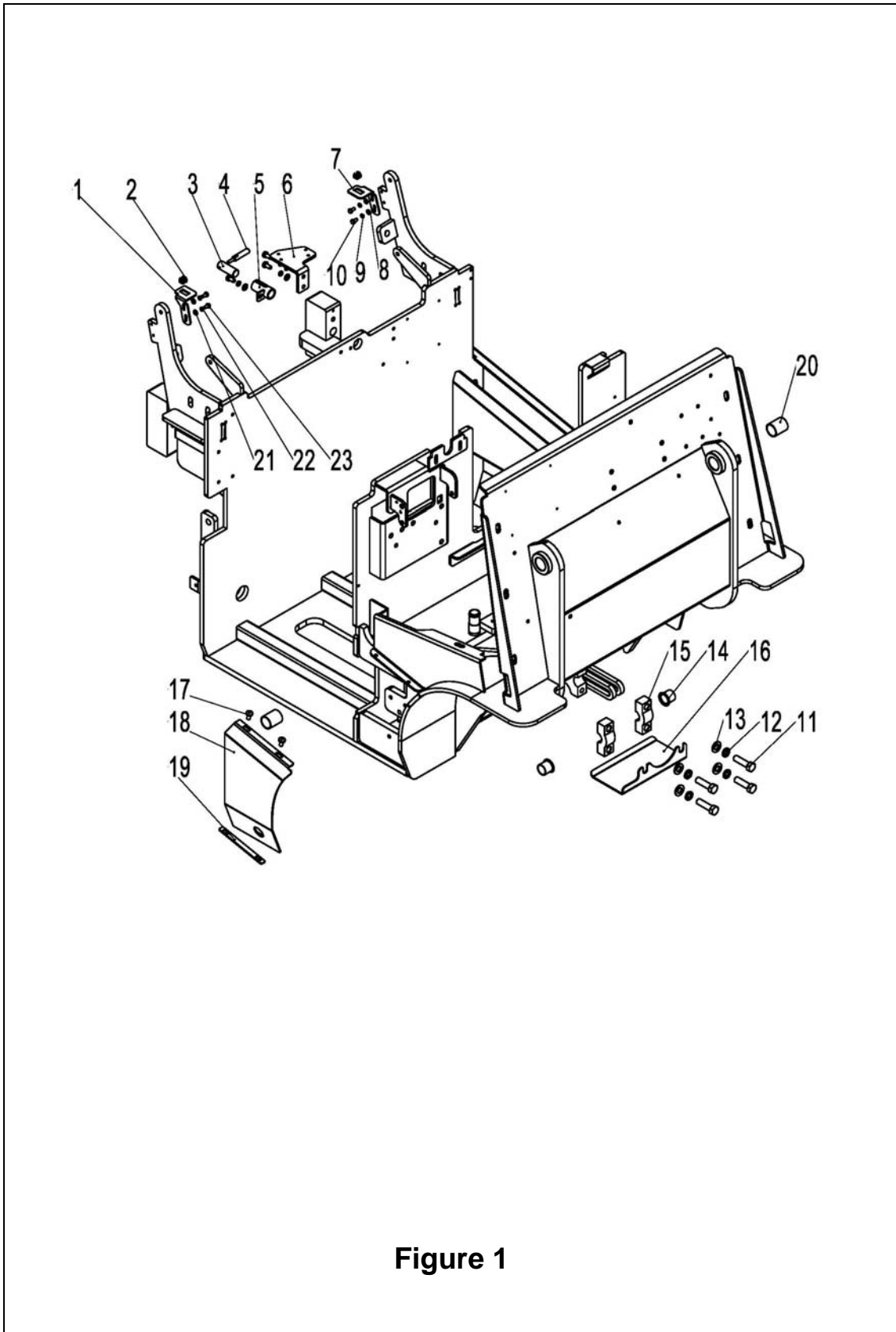
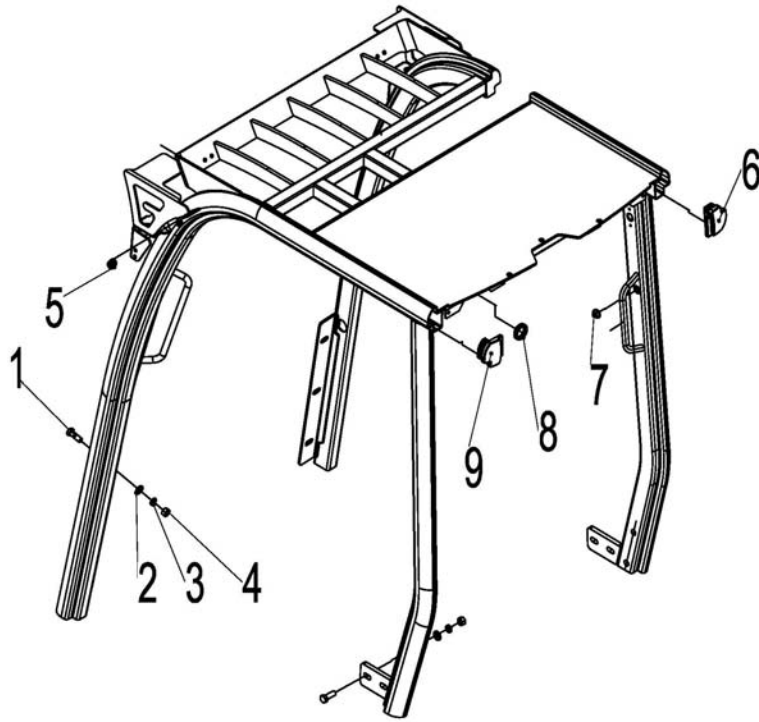


Figure 1

**Figure 1** **Frame assembly**

NO	SN	Name	QTY	Remarks
1	275221521082	Bracket (upper cover right)	1	
2	940801500002	M8 card nut	2	
3	255021520099	Insurance pin	1	
4	255021520100	Dial rod	1	
5	281221511011	Stem seat welding	1	
6	275221521081	Mounting board (connector)	1	
7	275221521083	Bracket (upper cover left)	1	
8	910400100005	Flat washer GB97.1-6-200HV	4	
9	910400500005	Spring washer GB93-6	4	
10	910100300009	Bolt GB5783-M6x12-8.8	4	
11	910100300063	Bolt GB5783-M14x35-8.8	4	
12	910400500009	Spring washer GB93-14	4	
13	910400100009	Flat washer GB97.1-14-200HV	4	
14	940500200011	Compound sleeve (shoulder) $\Phi$ 25x $\Phi$ 28x25.5-SF-1	2	
15	275221521054	Tile seat	2	
16	275221521053	Baffle	1	
17	910200300024	Screw GB70.2-M8x16-8.8	2	
18	275221511005	Welding of outer plate (lower right)	1	
19	281221521091	Pad (side plate)	1	
20	910700100001	Shaft sleeve GB18324-C30x34x40Y	2	
21	910100300020	Bolt GB5783-M8x16-8.8	3	
22	910400500006	Spring washer GB93-8	3	
23	910400100006	Flat washer GB97.1-8-200HV	3	

## Roof support and installation



**Figure 2**

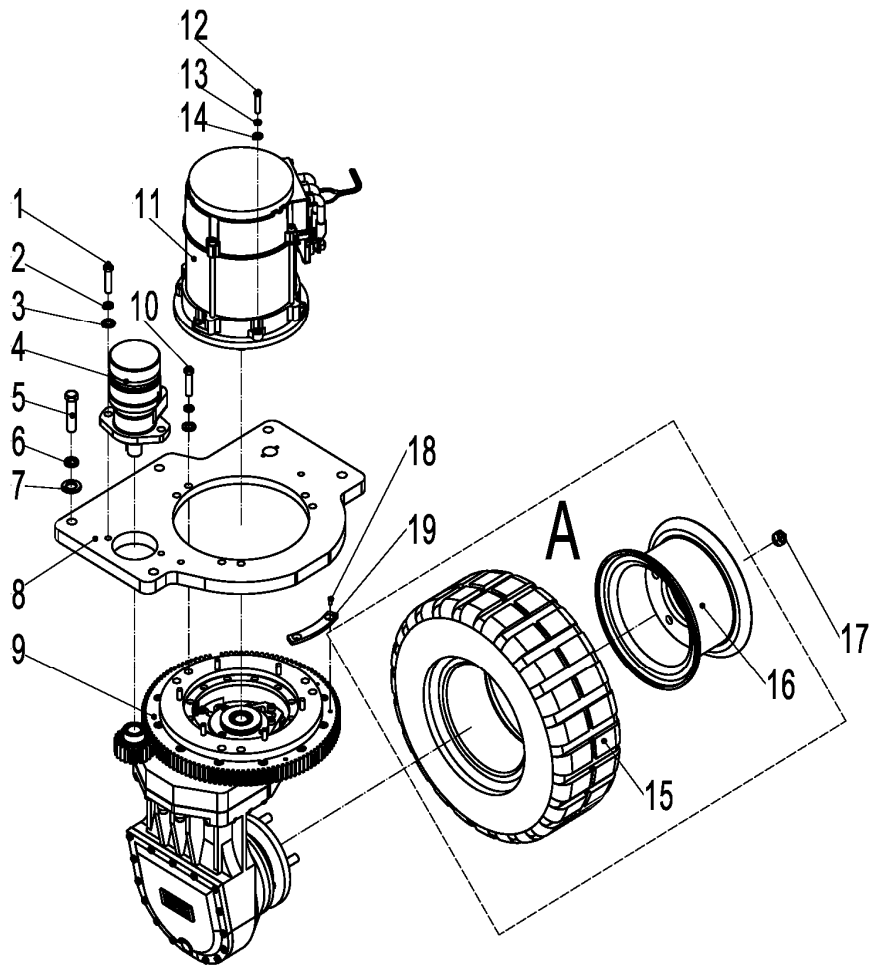
## **Figure 2                      Roof support and installation**

---

<b>NO</b>	<b>SN</b>	<b>Name</b>	<b>QTY</b>	<b>Remarks</b>
1	910100300052	Bolt GB5783-M12x40-8.8	10	
2	910400100008	Flat washer GB97.1-12-200HV	10	
3	910400500008	Spring washer GB93-12	10	
4	910300100008	Nut GB6170-M12-10	10	
5	255022020003	Headlight through coil	2	
6	255022020002	Shield II (special-shaped tube)	1	
7	252022020050	Rechargeable socket wire washer	1	
8	255022020004	Taillight output coil	2	
9	255022020001	Protective cover I (special-shaped tube)	1	



# Drive steering system

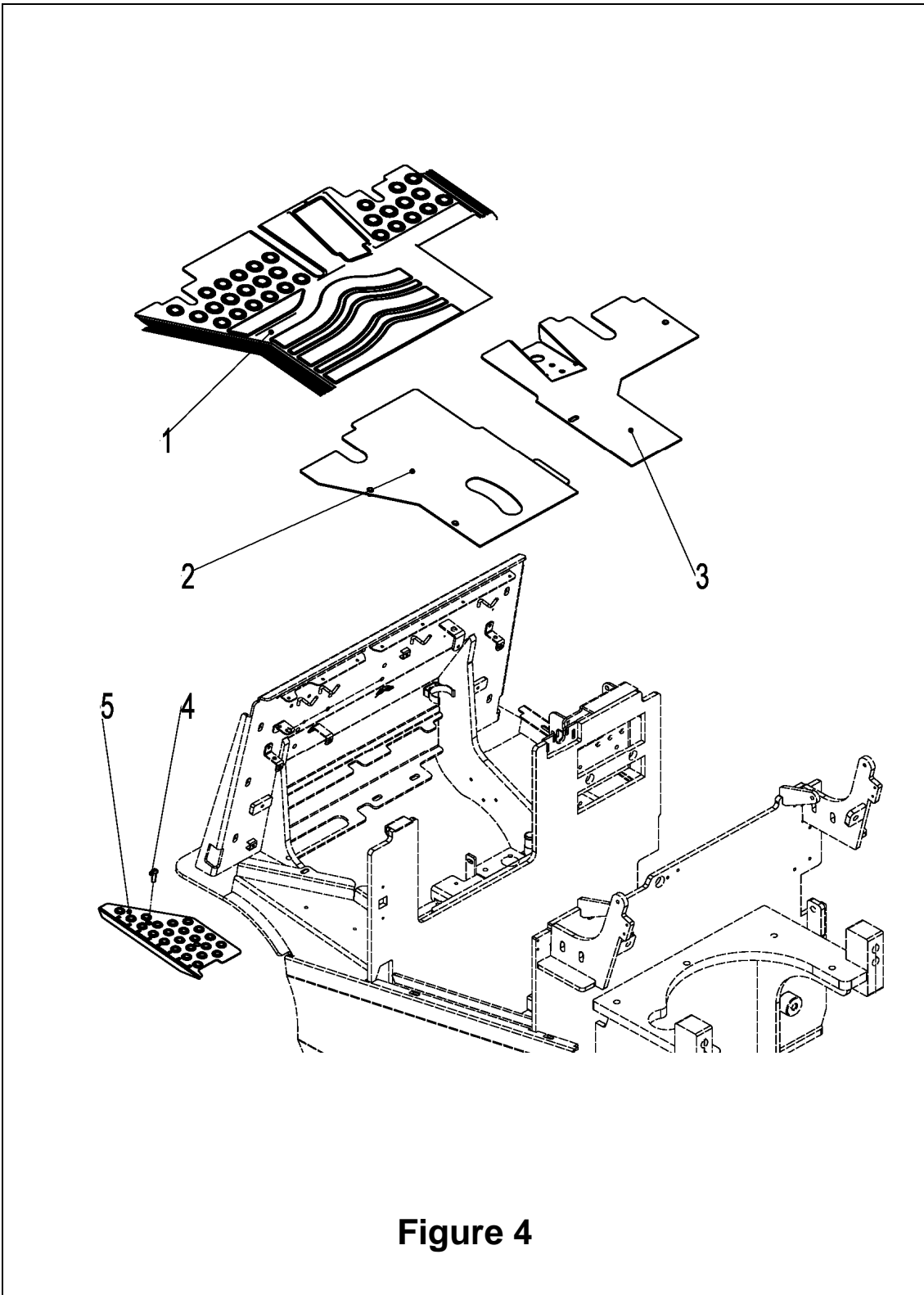


**Figure 3**

**Figure 3 Drive steering system**

NO	SN	Name	QTY	Remarks
1	910200200100	Screw GB70.1-M12x40-8.8	2	
2	910400500008	Spring washer GB93-12	8	
3	910400100008	Flat washer GB97.1-12-200HV	8	
4	275214010003	Cycloidal motor	1	
5	910100100071	Bolt GB5782-M16x55-8.8	5	
6	910400500010	Spring washer GB93-16	5	
7	910400100010	Flat washer GB97.1-16-200HV	5	
8	275214010002	Gearbox mounting board welding	1	
9	275214010001	Gearbox (South Central)	1	
	275214010005	Gearbox [Xinchang Hawk]		
10	910100300056	Bolt GB5783-M12x60-8.8	6	
11	920900100064	Motor (AC YDQ5-4-9200)	1	KDS
	920900100061	Motor (AC) JXQ-5-N	1	Anhui
	255098513251	Encoder SNDH-T4L-G01	1	parts
12	910100300023	Bolt GB5783-M8x25-8.8	6	
13	910400500006	Spring washer GB93-8	6	
14	910400100006	Flat washer GB97.1-8-200HV	6	
A	275215510001	Rear wheel assembly 18X7-8 (solid sunrise)	2	
	275215510002	Rear wheel assembly 18X7-8 (environmental protection sunrise)	2	Optional
15	255015510002	Tire 18x7-8 (solid sunrise)	2	
	255015510006	Tire 18x7-8 (environmentally friendly sunrise)	2	Optional
16	275215511001	Rims Assembly 4.33R-8	2	
17	275015520005	Nut M14x1.5	10	
18	910200600023	Screw GB819.1-M6x12-4.8	2	
19	275214021002	Limit plate	1	

# Bottom assembly



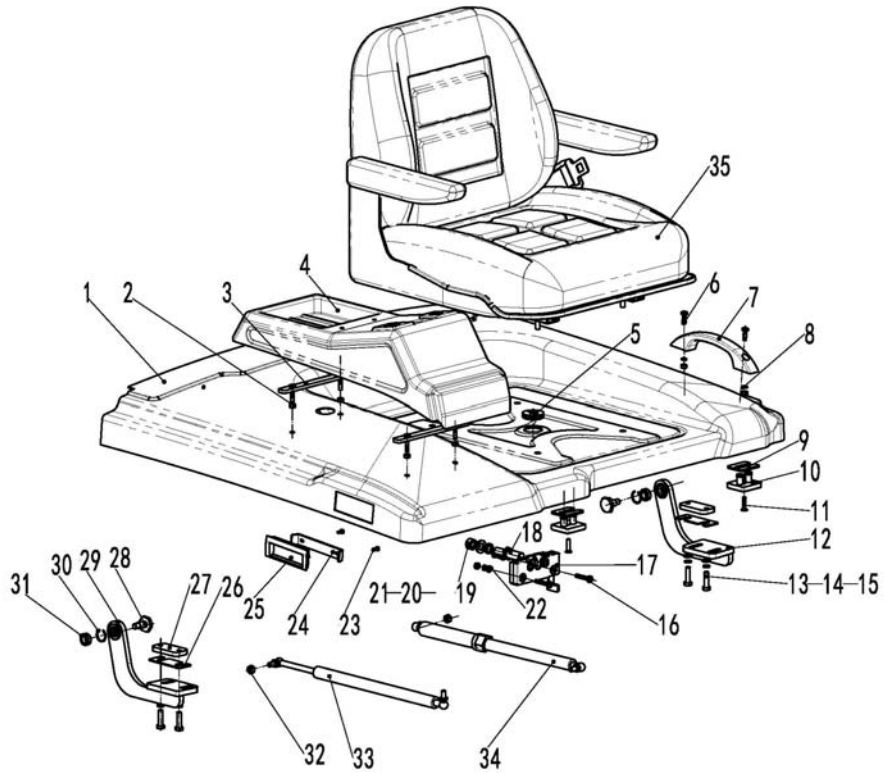
**Figure 4**

## **Figure 4** **Bottom assembly**

---

<b>NO</b>	<b>SN</b>	<b>Name</b>	<b>QTY</b>	<b>Remarks</b>
1	275218020001	Pedal pad	1	
2	275218011001	Left soldering	1	
3	275218011002	Right soldering	1	
4	255018020006	Tread plate	1	
5	941100100001	Screw M8x12-8.8	2	

# Battery box cover



**Figure 5**

**Figure 5 Battery box cover**

NO	SN	Name	QTY	Remarks
1	275221010002	Battery box cover welding	1	
2	910300100005	Nut GB6170-M6-10	8	
3	275221011016	Pressure plate welding	2	
4	275221020003	Decorative cover	1	
5	255021020046	Protective ring $\Phi$ 35	1	
6	910200500053	Screw GB818-M6x20-4.8	2	
7	255021020020	Handle	1	
8	910400500005	Spring washer GB93-6	4	
9	255021020071	Buffer pad	2	
10	255021020068	Buffer pad	2	
11	910200400019	Hexagon countersunk head screw GB70.3-M6x25-8.8-c1B	2	
12	275221011005	Hinge welding (left)	1	
13	910100300024	Bolt GB5783-M8x30-8.8	4	
14	910400500006	Spring washer GB93-8	10	
15	910400100006	Flat washer GB97.1-8-200HV	10	
16	910200500056	Screw GB818-M6x35-4.8	2	
17	255021010010	Roof lock	1	
18	255021020052	Tongue locking 2	1	
19	910400500008	Spring washer GB93-12	1	
20	910400100008	Flat washer GB97.1-12-200HV	1	
21	910300100008	Nut GB6170-M12-10	1	
22	910400100005	Flat washer GB97.1-6-200HV	2	
23	910200500021	Screw GB818-M4x10-4.8	2	
24	255021020055	Fixed plate	1	
25	255021020021	Handle (inside)	1	
26	255021020054	Adjusting pad	2	
27	255021020045	Seat plate	2	
28	255021020043	Fixing bolt	2	

# Battery box cover

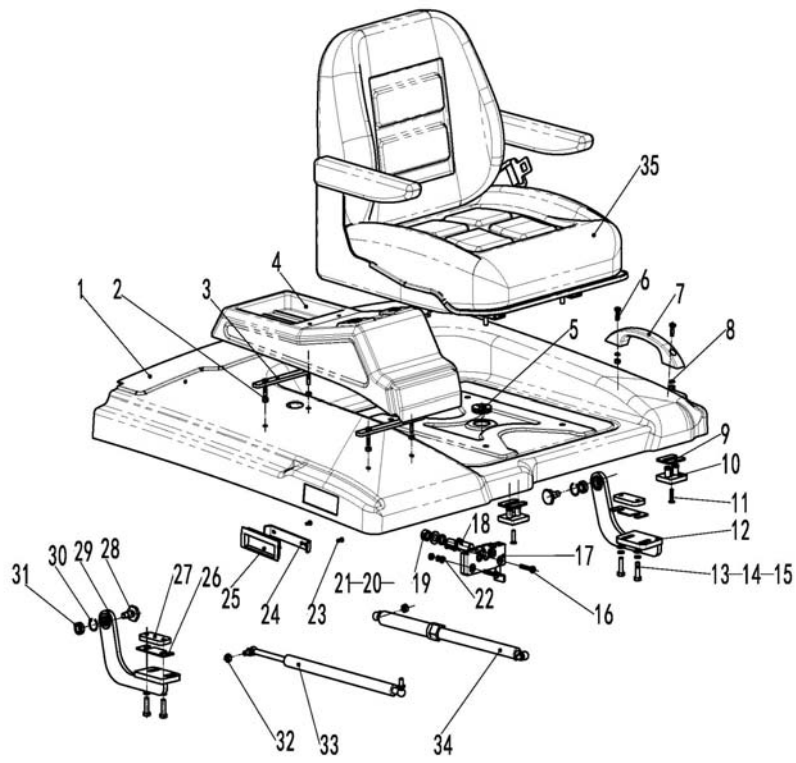


Figure 5

## **Figure 5** **Battery box cover**

---

<b>NO</b>	<b>SN</b>	<b>Name</b>	<b>QTY</b>	<b>Remarks</b>
29	275221011006	Hinge welding (right)	1	
30	910401500001	Steel wire retaining ring for hole GB895.1-22	2	
31	255021010014	Joint bearing GE12E	2	
32	910300100006	Nut GB6170-M8-10	2	
33	940400100030	Gas spring 200N (D620)	1	
34	940400100031	Air spring 500N (D620) - self locking	1	
35	255037510002	Seat (Ben Feng BF1-ABC)	1	



# Right door

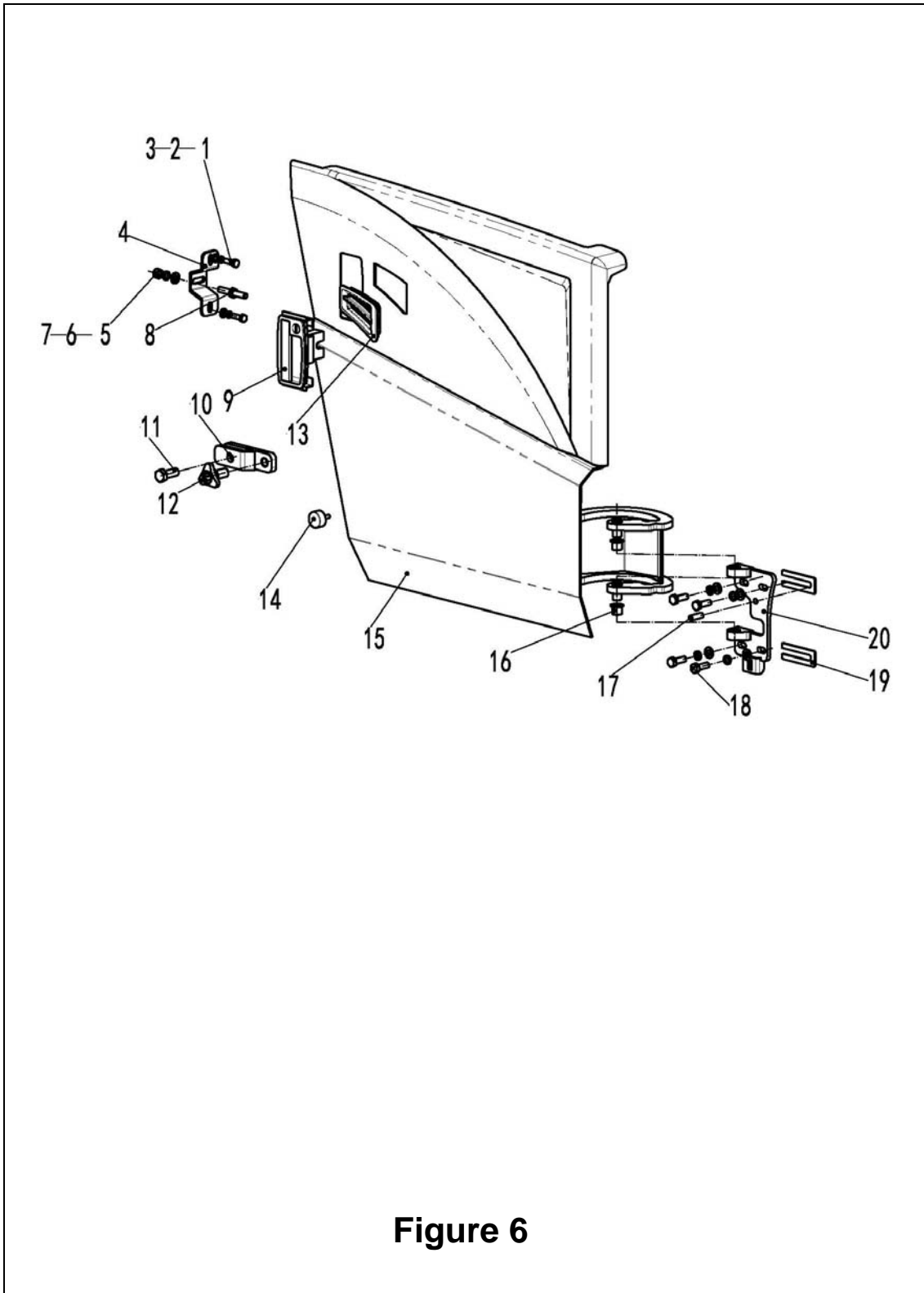


Figure 6

## Figure 6 Right door

NO	SN	Name	QTY	Remarks
1	910100300023	Bolt GB5783-M8x25-8.8	2	
2	910400500006	Spring washer GB93-8	2	
3	910400100006	Flat washer GB97.1-8-200HV	2	
4	275221021039	Fixed plate	1	
5	910300100007	Nut GB6170-M10-10	1	
6	910400500007	Spring washer GB93-10	5	
7	910400100007	Flat washer GB97.1-10-200HV	5	
8	255021020040	Tongue locking 1	1	
9	255021010009	Side door lock	1	
10	255021010007	Limit seat welding	1	
11	910100300063	Bolt GB5783-M14x35-8.8	2	
12	255021020059	Star handle	1	
13	505621520041	Vent (left)	1	
14	505618020016	Buffer pad	1	
15	275221010001	Side door welding (right)	1	
16	940500200016	Compound sleeve (shoulder 16x18x16-SF-1)	2	
17	910600100031	Cylindrical pin GB119.2-10x30	1	
18	910100300037	Bolt GB5783-M10x30-8.8	4	
19	275221021044	Adjusting pad	1	
20	275221011004	Hinge joint	1	

# Left plate

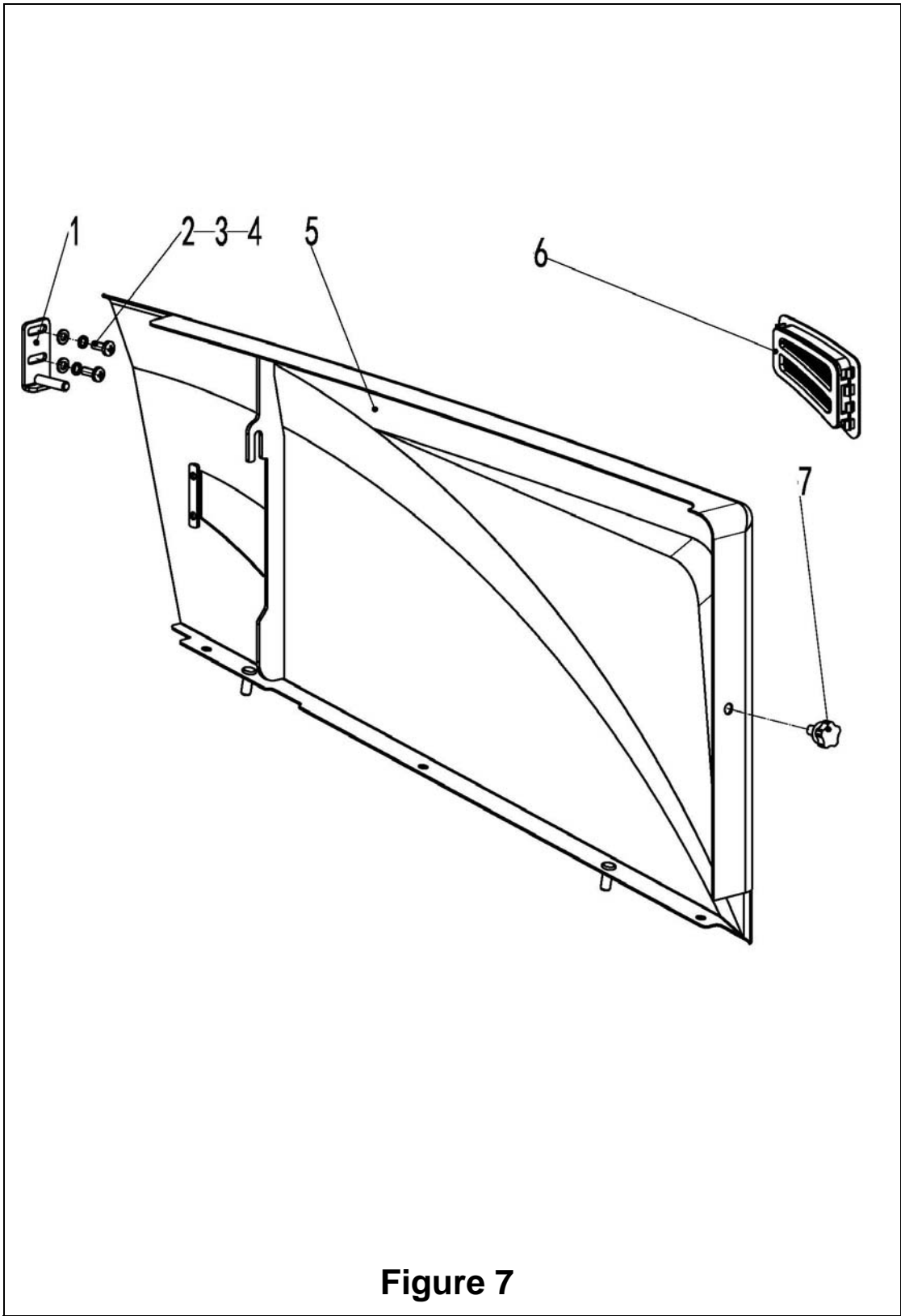
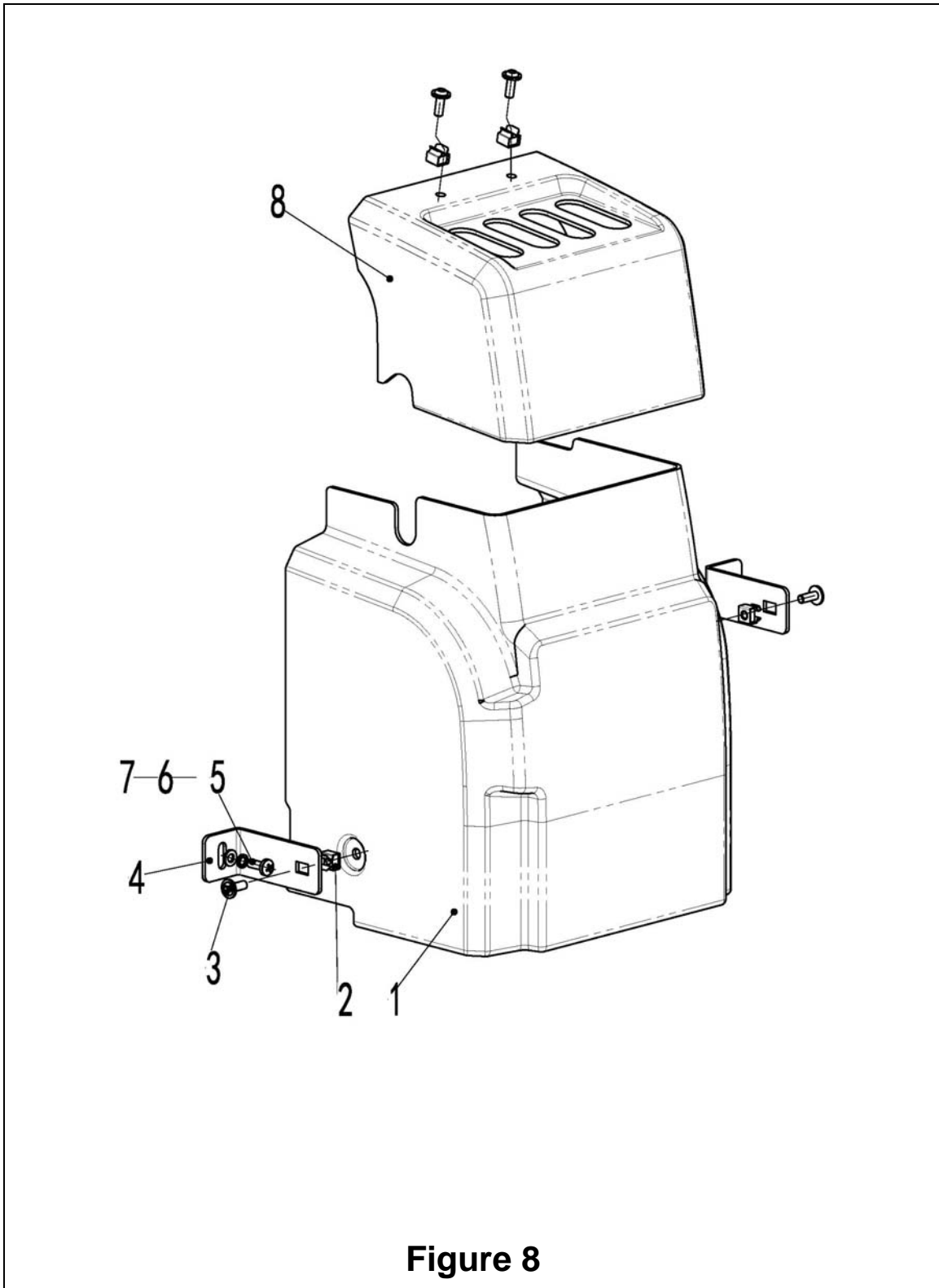


Figure 7

## Figure 7 Left plate

NO	SN	Name	QTY	Remarks
1	255021010015	Hook welding (left)	1	
2	910400100005	Flat washer GB97.1-6-200HV	2	
3	910400500005	Spring washer GB93-6	2	
4	910200500052	Screw GB818-M6x16-4.8	2	
5	275221011003	Side plate welding (left)	1	
6	505621510004	Vent (right)	1	
7	255021020060	Knob bolt	1	

## Valve cover



**Figure 8**

**Figure 8** **Valve cover**

---

<b>NO</b>	<b>SN</b>	<b>Name</b>	<b>QTY</b>	<b>Remarks</b>
1	281221021002	Protective cover (under valve)	1	
2	255021020058	M6 card nut	4	
3	941100100009	Screw M6x16-4.8	4	
4	255021020051	Support	2	
5	910400100005	Flat washer GB97.1-6-200HV	2	
6	910400500005	Spring washer GB93-6	2	
7	910200500053	Screw GB818-M6x20-4.8	4	
8	281221021001	Protective cover (under valve)	1	

## Balanced reassembly

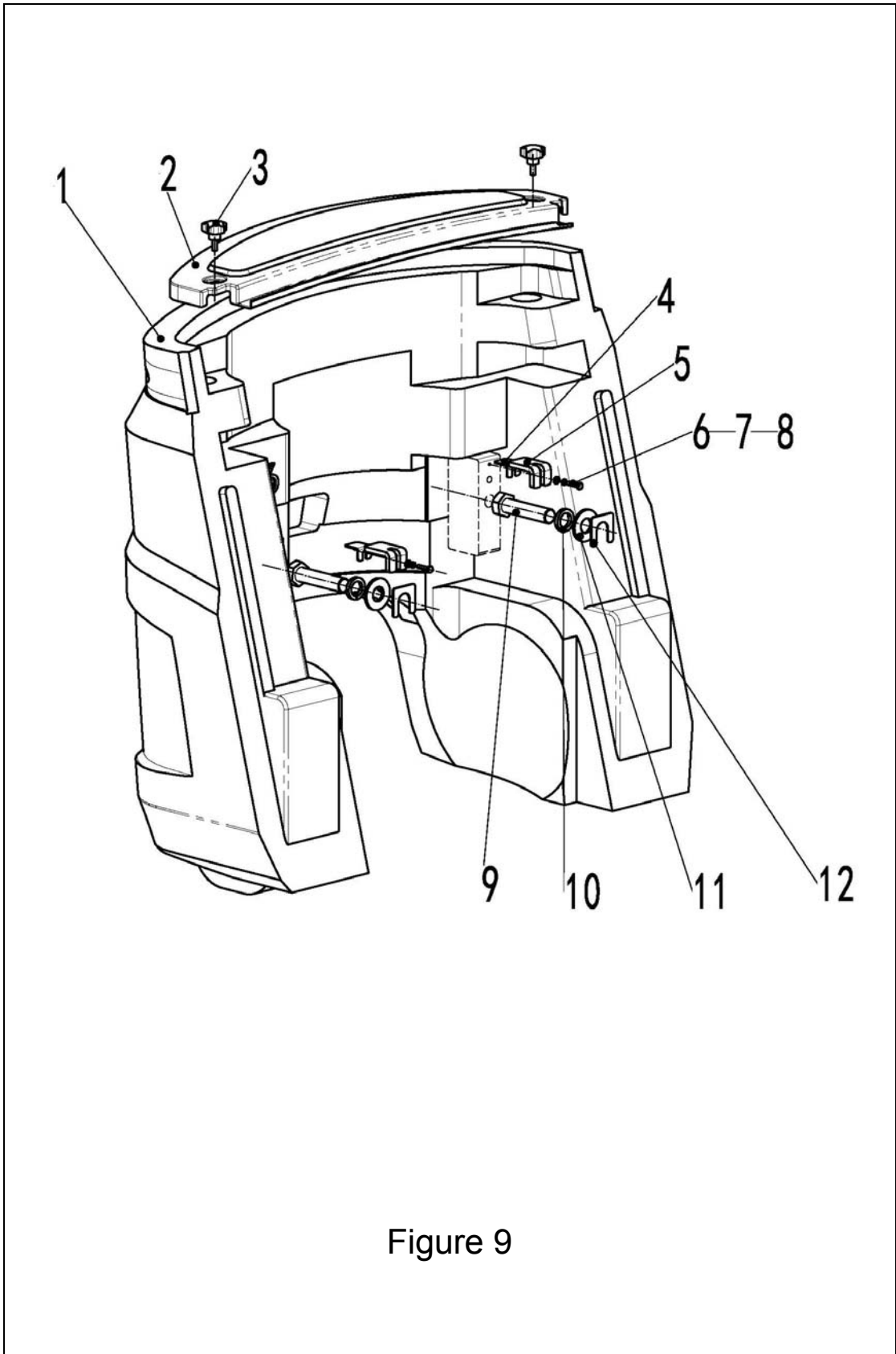


Figure 9

**Figure 9** **Balanced reassembly**

NO	SN	Name	QTY	Remarks
1	275123021001	Balance weight 13)	1	FE3R13
	275223021001	Balance weight 16)	1	FE3R16
2	275223021002	Electrically controlled upper cover	1	
3	281223021006	Cover bolt	2	
4	255023020006	Adjusting pad (on counterweight)	2	
5	281223021007	Pad (counterweight)	2	
6	910400100005	Flat washer GB97.1-6-200HV	2	
7	910400500005	Spring washer GB93-6	2	
8	910200500053	Screw GB818-M6x20-4.8	2	
9	910100100101	Bolt GB5782-M24x100-8.8	2	
10	910400500013	Spring washer GB93-24	2	
11	255023020007	Washer $\Phi$ 60x $\Phi$ 25x6	2	
12	255023020003	Adjusting pad (under counterweight)	2	



## Corner sensor ( optional )

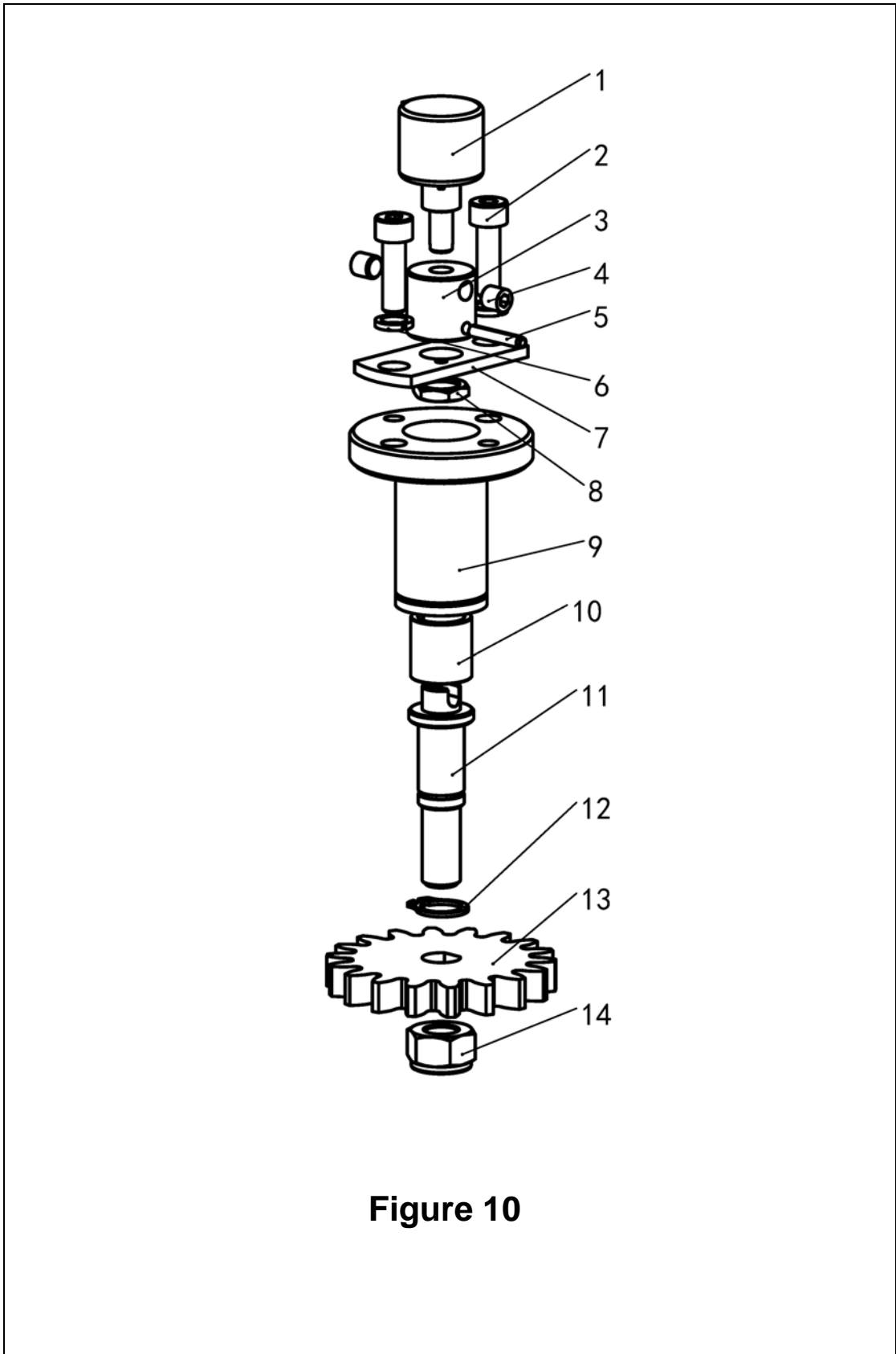


Figure 10

**Figure 10** **Corner sensor ( optional )**

---

NO	SN	Name	QTY	Remarks
1	921800200010	Potentiometer	1	
2	910200200036	Screw GB70.1-M6x20-8.8	2	
3	275256527006	Transition sleeve	1	
4	910200800009	Inner hexagonal flat end fastening screw GB77-M6x6-45H-c1B	2	
5	910600400004	Elastic cylindrical pin straight groove heavy duty GB879.1-3x16-c1B	1	
6	910400500005	Spring washer GB93-6	2	
7	275256527004	Potentiometer fixing plate	2	
8	910300100007	Nut GB6173-M10x0.75-10	1	
9	275256527002	Bearing sleeve	1	
10	940500100055	Compound sleeve $\Phi$ 12x $\Phi$ 16x16-SF-1	1	
11	275256527003	Connecting shaft	1	
12	910401300003	Shaft elastic ring GB894.1-12	1	
13	275256527005	Angle sensing gear	1	
14	910300500005	Nut GB889.1-M10-10	1	

## Lifting motor and installation

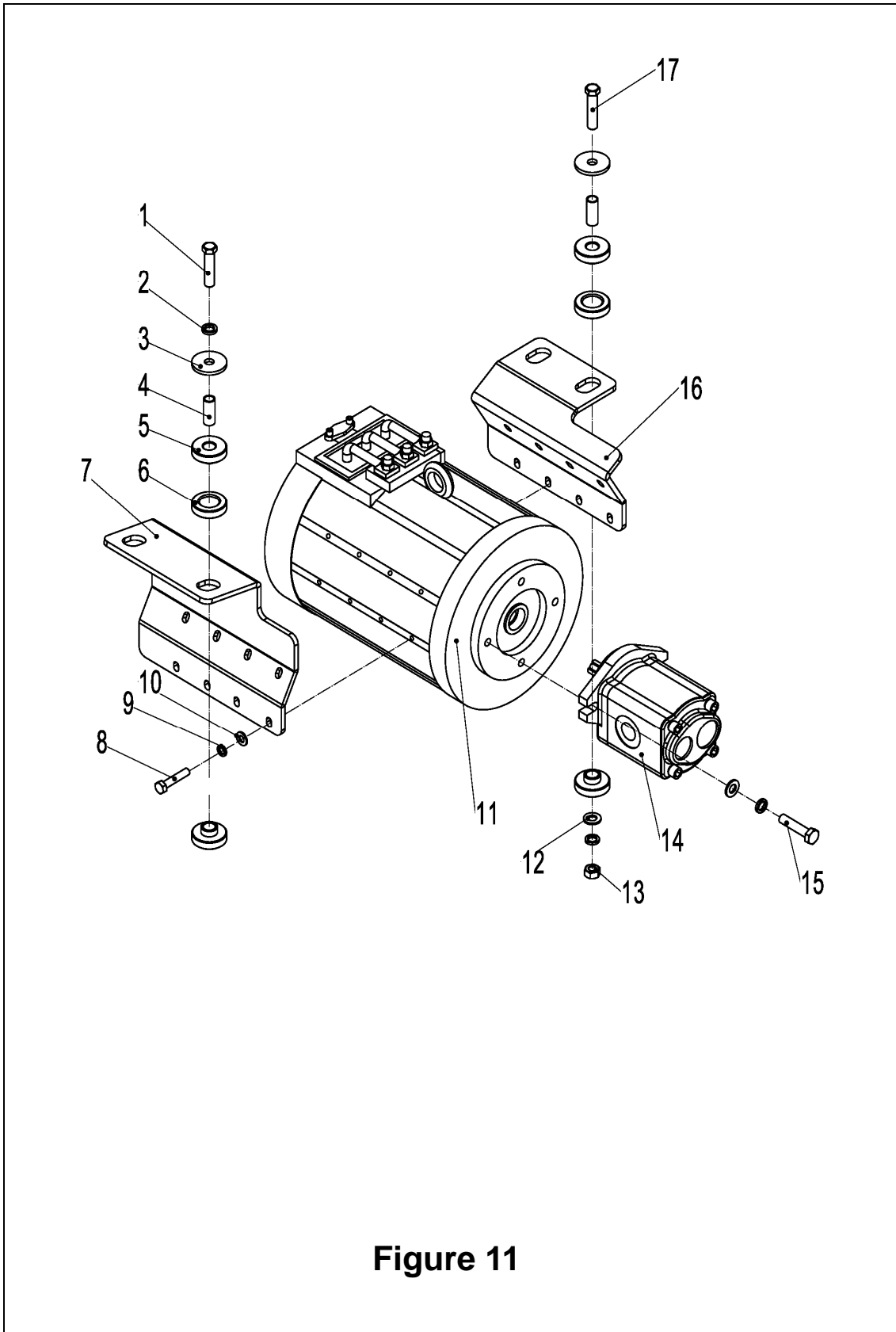


Figure 11

**Figure 11 Lifting motor and installation**

NO	SN	Name	QTY	Remarks
1	910100100034	Bolt GB5782-M10x55-8.8	2	
2	910400500007	Spring washer GB93-10	6	
3	255032520002	Washer $\Phi$ 40x $\Phi$ 11x4	4	
4	255032520001	Strengthening sleeve $\Phi$ 13x $\Phi$ 10.5x32	4	
5	255032520003	Damping pad	4	
6	275232521003	Washer $\Phi$ 40x $\Phi$ 20x10	8	
7	275232521001	Mounting plate 1	1	
8	910100300012	Bolt GB5783-M6x25-8.8	16	
9	910400500005	Spring washer GB93-6	16	
10	910400100005	Flat washer GB97.1-6-200HV	16	
11	920900100062	Motor (AC) JXQD-8.6-3R	1	
	275298532501	Encoder (South Anhui)	1	Accessories
	920900100063	Motor (AC HPB8.6-4NL3R)	1	Selection and fitting
	255098513251	Encoder SNDH-T4L-G01	1	Accessories
12	910400100007	Flat washer GB97.1-10-200HV	4	
13	910300100007	Nut GB6170-M10-10	2	
14	275223511006	Gear pump (right-handed)	1	
15	910100300037	Bolt GB5783-M10x30-8.8	2	
16	275232521002	Mounting plate 2	1	
17	910100100035	Bolt GB5782-M10x60-8.8	2	

# Foot brake control

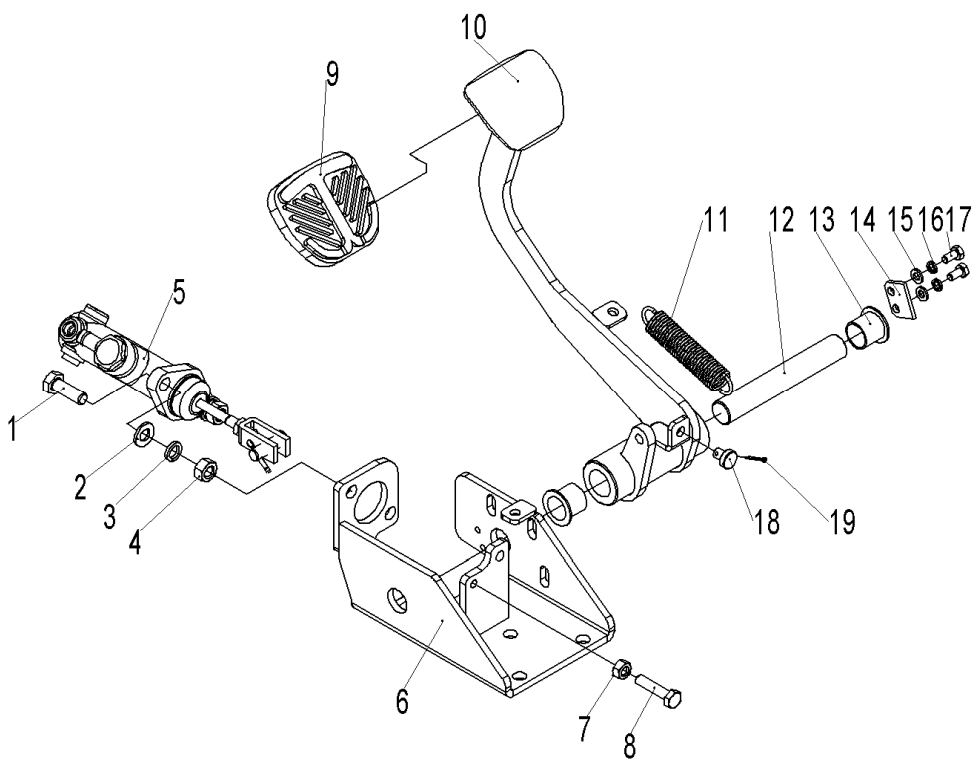


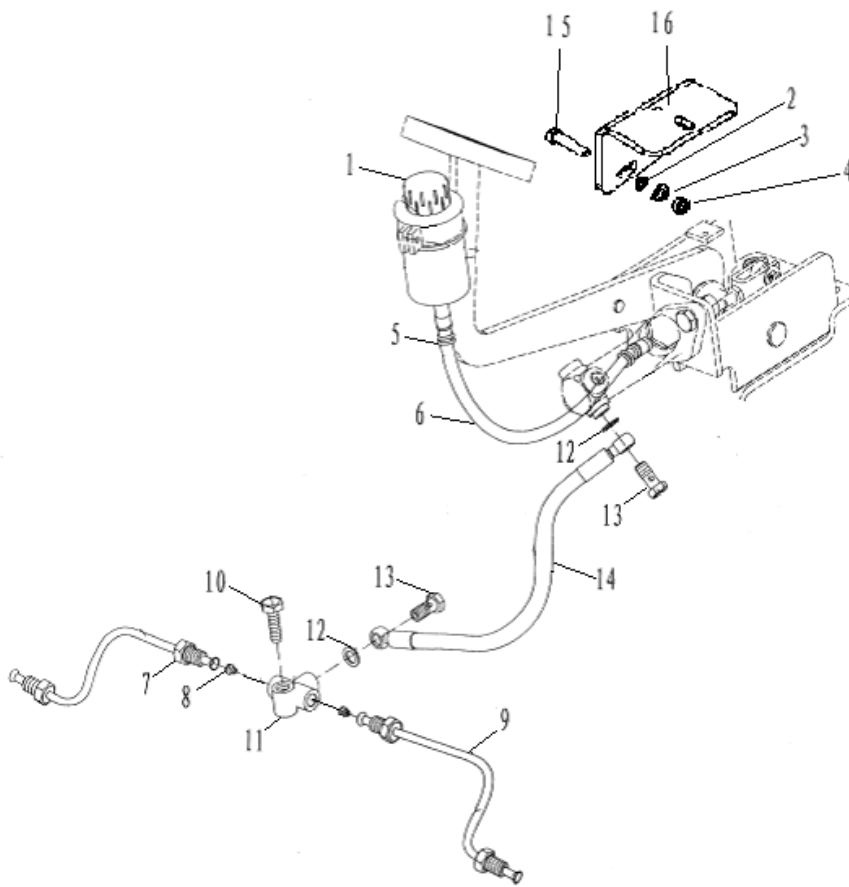
Figure 12

**Figure 12** **Foot brake control**

NO	SN	Name	QTY	Remarks
A	275211511004	Foot brake assembly	1	Inc.1-19
1	▲	Bolt GB5783-M10x30-8.8	2	
2	▲	Flat washer GB97.1-10-200HV	2	
3	▲	Spring washer GB93-10	2	
4	▲	Nut GB6170-M10-10	2	
5	275211511003	Brake pump assembly	1	
6	▲	Foot brake support welding	1	
7	▲	Nut GB6170-M8-10	1	
8	▲	Bolt GB5783-M8x35-8.8	1	
9	▲	Pedal (rubber)	1	
10	▲	Brake pedal welding	1	
11	▲	Pull spring	1	
12	▲	Pin shaft	1	
13	▲	Compound sleeve (with shoulder)	2	
14	▲	Limit plate	1	
15	▲	Flat washer GB97.1-6-200HV	2	
16	▲	Spring washer GB93-6	2	
17	▲	Bolt GB5783-M6x12-8.8	2	
18	▲	Buffer pad	1	
19	▲	Pin	1	

Note: ▲spare parts are not provided separately

## Foot brake control line



**Figure 13**

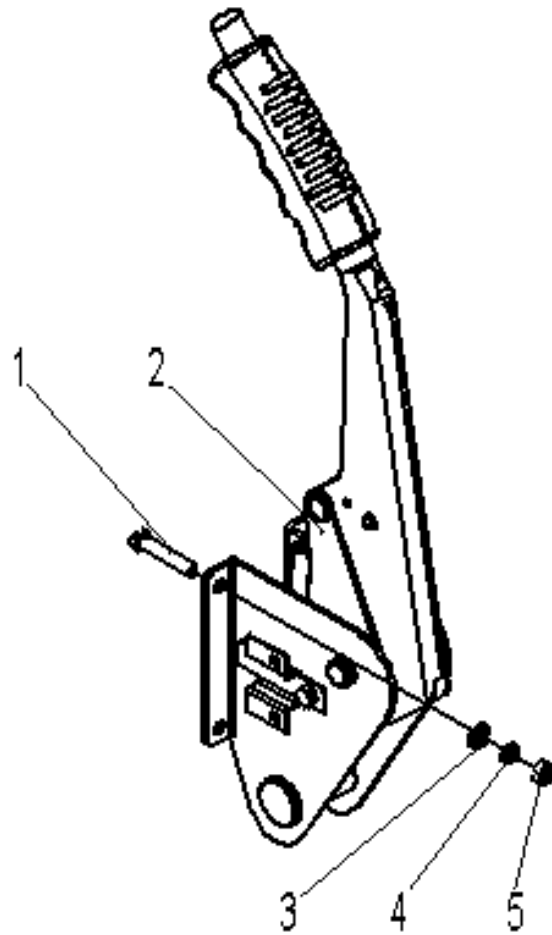
**Figure 13** **Foot brake control line**

NO	SN	Name	QTY	Remarks
1	275011520020	Brake oil cup	1	
2	910400500006	Spring washer GB93-8	7	
3	910400100006	Flat washer GB97.1-8-200HV	7	
4	910300100006	Nut GB6170-M8-10	3	
5	911000600001	Throat hoop QC / T 390-T 11-14)	2	
6	▲	PE hose Φ 8x Φ 11	1	
7	275011510001	Hydraulic pipe welded 1	1	
8	275011520021	Nozzle cone seat	4	
9	275011510002	Hydraulic pipe welding 2	1	
10	910100300024	Bolt GB5783-M8x30-8.8	1	
11	275011520019	Joint (three-way joint 5-3xM10x1)	1	
12	910800900006	Combined washer JB982-10	4	
13	275011520017	Hinge bolt M10x1x22	2	
14	275011510007	Hydraulic pipe assembly (double	1	
15	910100300023	Bolt GB5783-M8x25-8.8	7	
16	275211521014	Bending plate	1	

Note: ▲ spare parts are not provided separately



## Hand brake control



**Figure 14**

## **Figure 14                      Hand brake control**

---

<b>NO</b>	<b>SN</b>	<b>Name</b>	<b>QTY</b>	<b>Remarks</b>
1	910100300014	Bolt GB5783-M6x35-8.8	4	
2	275012010001	Hand brake	1	
3	910400100005	Flat washer GB97.1-6-200HV	4	
4	910400500005	Spring washer GB93-6	4	
5	910300100005	Nut GB6170-M6-10	4	

## Multiple directional control valve (bigeminy)

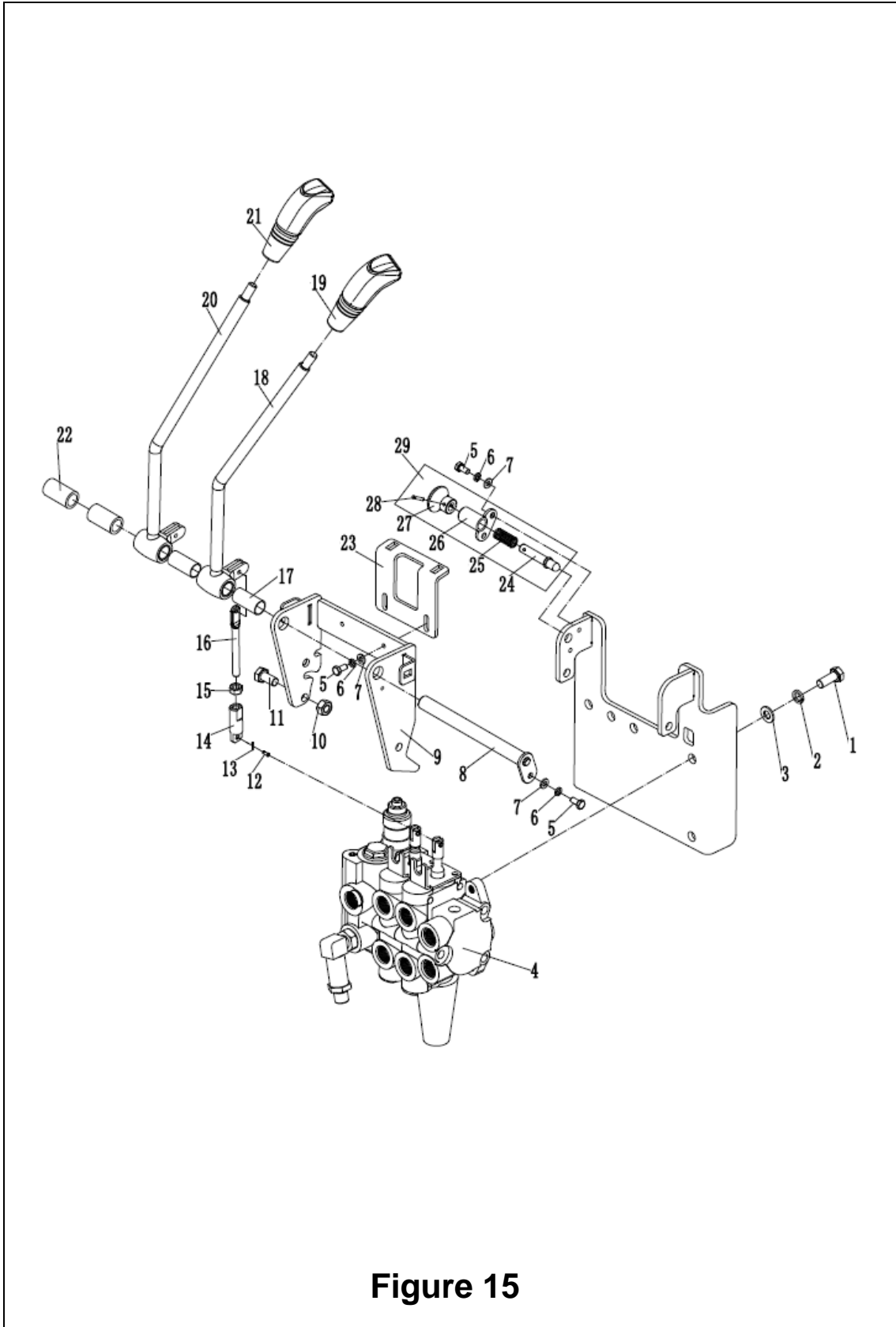


Figure 15

**Figure 15 Multiple directional control valve (bigeminy)**

NO	SN	Name	QTY	Remarks
1	910100300036	Bolt GB5783-M10x25-8.8	3	
2	910400500007	Spring washer GB93-10	6	
3	910400100007	Flat washer GB97.1-10-200HV	6	
4	281224511002	Multiplex valve ( two combined )	1	
5	910100300009	Bolt GB5783-M6x12-8.8	5	
6	910400500005	Spring washer GB93-6	7	
7	910400100005	Flat washer GB97.1-6-200HV	9	
8	255024510009	Auricular axis $\Phi$ 16x168	1	
9	281224511001	Stem support welding	1	
10	910300500005	Nut GB889.1-M10-10	2	
11	910100300035	Bolt GB5783-M10x20-8.8	2	
12	941100800001	Pin shaft B4.75x20-c1B	4	
13	910600600011	Open pin GB91-2x12	4	
14	255025020003	Joint	2	
15	910300100006	Nut GB6170-M8-10	2	
16	255024520017	Connecting rod	2	
17	940500100006	Compound sleeve $\Phi$ 16x $\Phi$ 18x15-SF-1	4	
18	255024510004	Joystick welding (hoisting)	1	
19	255024520022	Handle ball (lift)	1	
20	255024510005	Joystick welding (tilt)	1	
21	255024520023	Handle ball (tilt)	1	
22	253524520005	Shaft sleeve	2	
23	281224521001	Fixed plate (shield)	1	
24	255024520014	Handle shaft $\Phi$ 10x60	1	
25	255024520013	Pressure spring	1	
26	255024510003	Auricular shaft $\Phi$ 18 x 27.5	1	
27	255024520015	Handle	1	
28	910600400004	Elastic cylinder pin GB879.1-3x16	1	
29	255024510006	Unlock handle assembly	1	

## Multiple directional control valve (trigeminy)

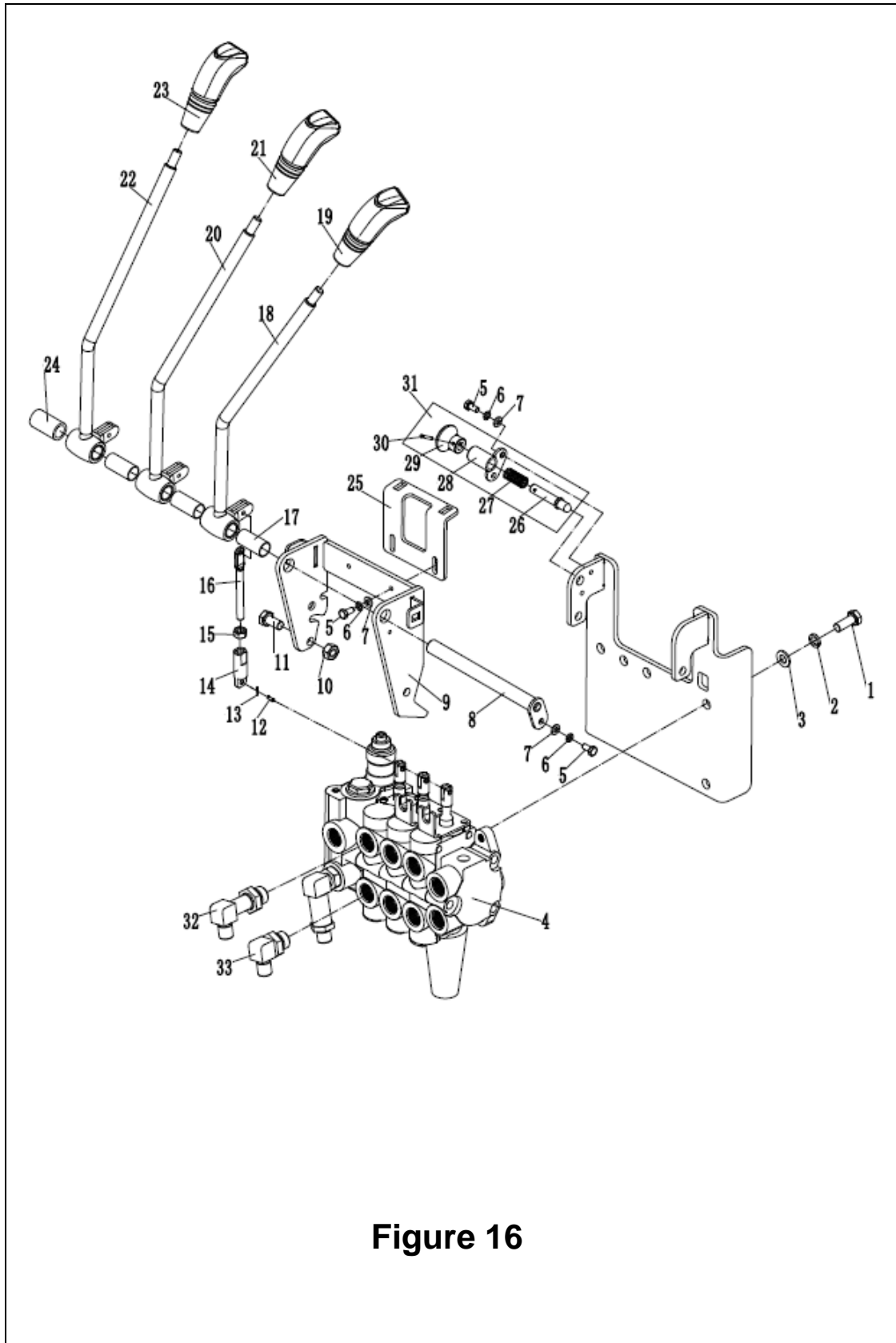


Figure 16

**Figure 16** Multiple directional control valve (trigeminy)

NO	SN	Name	QTY	Remarks
1	910100300036	Bolt GB5783-M10x25-8.8	3	
2	910400500007	Spring washer GB93-10	6	
3	910400100007	Flat washer GB97.1-10-200HV	6	
4	281225011002	Multiway valve (three combined )	1	
5	910100300009	Bolt GB5783-M6x12-8.8	5	
6	910400500005	Spring washer GB93-6	7	
7	910400100005	Flat washer GB97.1-6-200HV	9	
8	255024510009	Auricular axis $\Phi$ 16x168	1	
9	281224511001	Stem support welding	1	
10	910300500005	Nut GB889.1-M10-10	2	
11	910100300035	Bolt GB5783-M10x20-8.8	2	
12	941100800001	Pin shaft B4.75x20-c1B	6	
13	910600600011	Open pin GB91-2x12	6	
14	255025020003	Joint	3	
15	910300100006	Nut GB6170-M8-10	3	
16	255024520017	Connecting rod	3	
17	940500100006	Compound sleeve $\Phi$ 16x $\Phi$ 18x15-SF-1	6	
18	255024510004	Joystick welding (hoisting)	1	
19	255024520022	Handle ball (lift)	1	
20	255024510005	Joystick welding (tilt)	1	
21	255024520023	Handle ball (tilt)	1	
22	255025010001	Joystick welding (of 1)	1	
23	255025020002	Handle ball (of 1)	1	
24	253524520005	Shaft sleeve	1	
25	281224521001	Fixed plate (shield)	1	
26	255024520014	Handle shaft $\Phi$ 10x60	1	
27	255024520013	Pressure spring	1	
28	255024510003	Auricular shaft $\Phi$ 18 x 27.5	1	

## Multiple directional control valve (trigeminy)

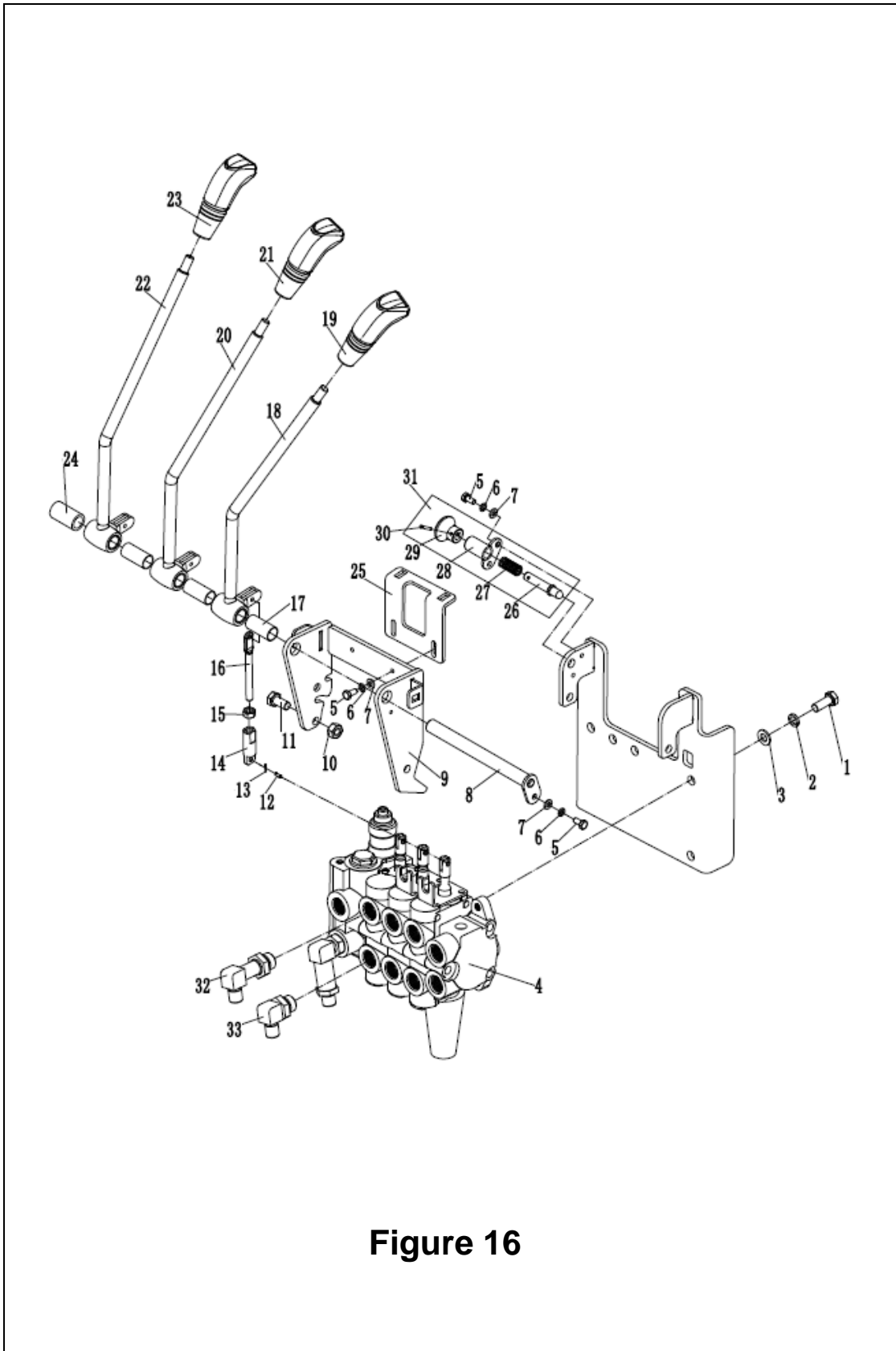


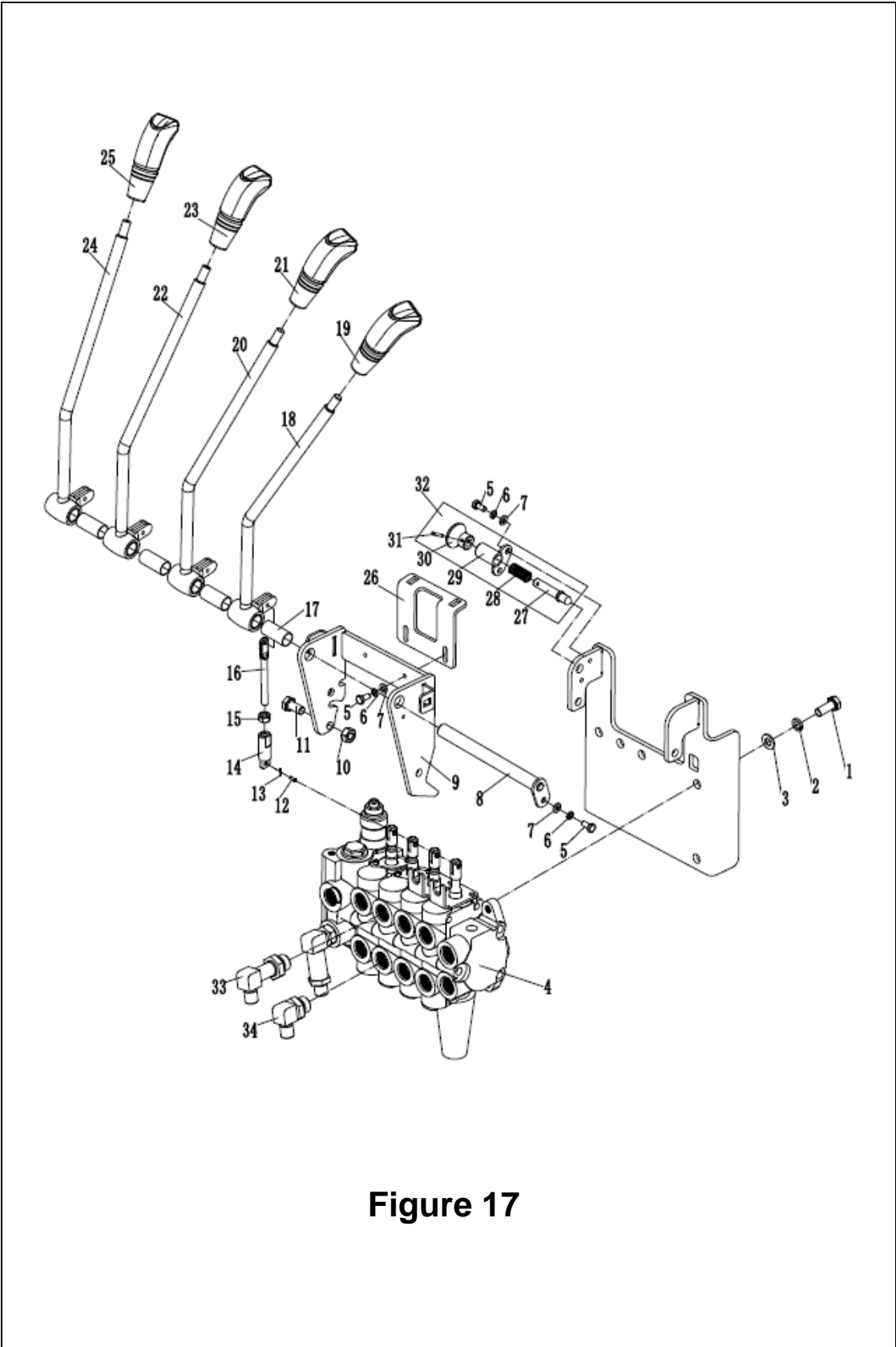
Figure 16

**Figure 16 Multiple directional control valve (trigeminy)**

NO	SN	Name	QTY	Remarks
29	255024520015	Handle	1	
30	910600400004	Elastic cylinder pin GB879.1-3x16	1	
31	255024510006	Unlock handle assembly	1	
32	281225010001	Joint (locking bending 10-M20x1.5-M16x1.5-60 °)	1	
33	255023510007	Joint (locking bending 10-M20x1.5-M16x1.5-60 °)	1	



**Multiple directional control valve(four joint)**

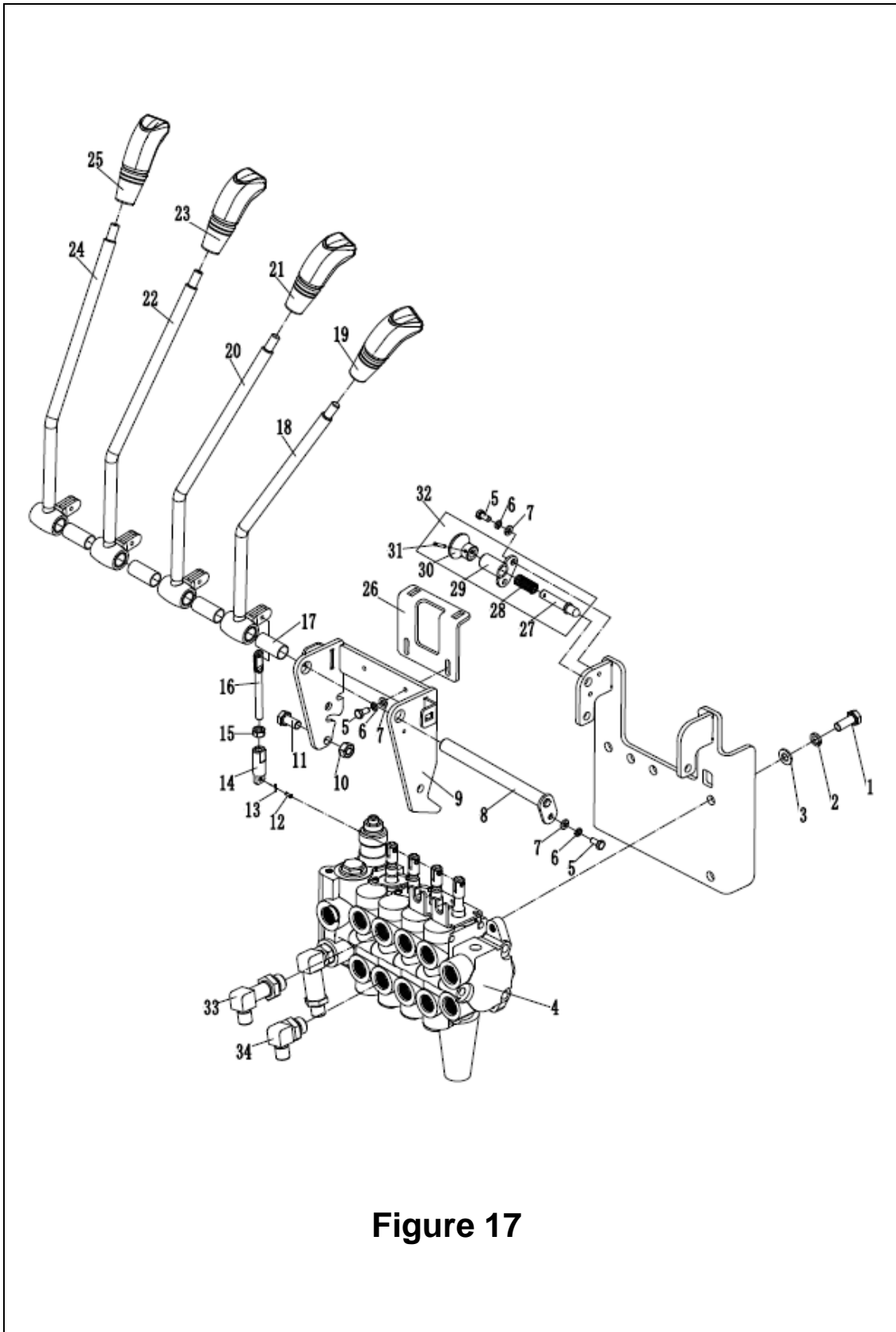


**Figure 17**

**Figure 17 Multiple directional control valve(four joint)**

NO	SN	Name	QTY	Remarks
1	910100300036	Bolt GB5783-M10x25-8.8	3	
2	910400500007	Spring washer GB93-10	6	
3	910400100007	Flat washer GB97.1-10-200HV	6	
4	281225511002	Multiway valve (four combined)	1	
5	910100300009	Bolt GB5783-M6x12-8.8	5	
6	910400500005	Spring washer GB93-6	7	
7	910400100005	Flat washer GB97.1-6-200HV	9	
8	255024510009	Auricular axis $\Phi$ 16x168	1	
9	281224511001	Stem support welding	1	
10	910300500005	Nut GB889.1-M10-10	2	
11	910100300035	Bolt GB5783-M10x20-8.8	2	
12	941100800001	Pin shaft B4.75x20-c1B	8	
13	910600600011	Open pin GB91-2x12	8	
14	255025020003	Joint	4	
15	910300100006	Nut GB6170-M8-10	4	
16	255024520017	Connecting rod	4	
17	940500100006	Compound sleeve $\Phi$ 16x $\Phi$ 18x15-SF-1	8	
18	255024510004	Joystick welding (hoisting)	1	
19	255024520022	Handle ball (lift)	1	
20	255024510005	Joystick welding (tilt)	1	
21	255024520023	Handle ball (tilt)	1	
22	255025010001	Joystick welding (of 1)	1	
23	255025020002	Handle ball (of 1)	1	
24	255025510001	Joystick welding (of 2)	1	
25	255025520002	Handle ball (of 2)	1	
26	281224521001	Fixed plate (shield)	1	
27	255024520014	Handle shaft $\Phi$ 10x60	1	
28	255024520013	Pressure spring	1	

## Multiple directional control valve(four joint)



**Figure 17**

**Figure 17 Multiple directional control valve(four joint)**

NO	SN	Name	QTY	Remarks
29	255024510003	Auricular shaft $\Phi$ 18 x 27.5	1	
30	255024520015	Handle	1	
31	910600400004	Elastic cylinder pin GB879.1-3x16	1	
32	255024510006	Unlock handle assembly	1	
33	281225010001	Joint (locking bending 10-M20x1.5-M16x1.5-60 °)	2	
34	255023510007	Joint (locking bending 10-M20x1.5-M16x1.5-60 °)	2	

# hydraulic system

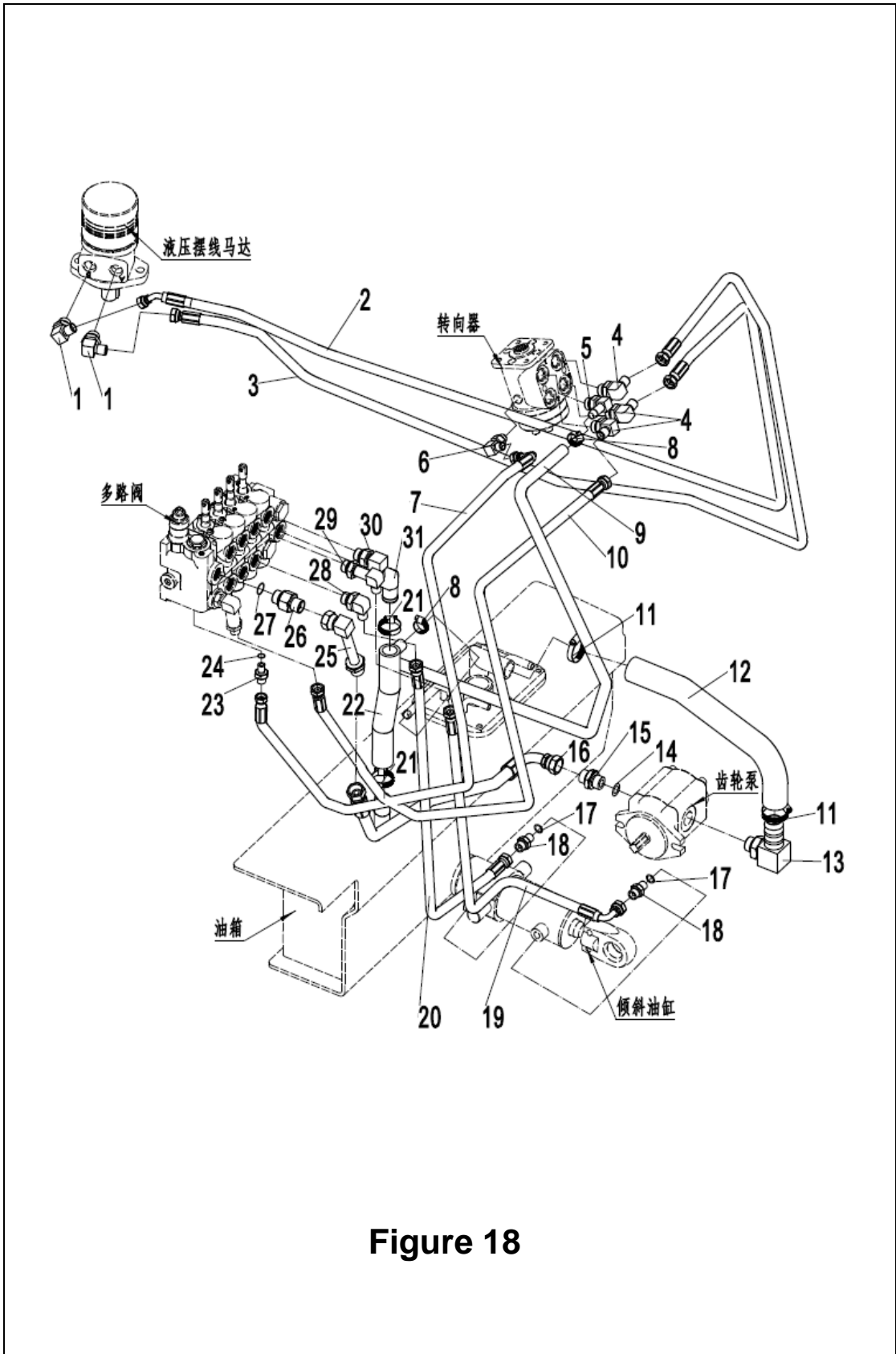


Figure 18

**Figure 18 Hydraulic system**

NO	SN	Name	QTY	Remarks
1	275223511001	Joint (locking bend 8-G1 / 2-M16x1.5-60 °)	2	
2	275223521002	Hydraulic pipe assembly 45 ° / 8-L 2140-1SC-60 °	1	
3	275223521003	Hydraulic pipe assembly (straight 8-L2140-1SC-60 °)	1	
4	255023510007	Joint (locking bending 10-M20x1.5-M16x1.5-60 °)	3	
5	255023510008	Joint (locking bend 11-M20x1.5-0)	1	
6	255023510003	Joint (locking bending 6-G1 / 4-M14x1.5-6 °)	1	
7	255023520003	Hydraulic pipe assembly 90 ° / L 1420-1SC-60 °	1	
8	911000600003	Throat hoop QC / T 390-T 22-26)	2	
9	900200401001	Oil return hose 23x5	1	
10	255030520012	Hydraulic pipe assembly (straight 8-L1400-1SC-60 °)	1	
11	911000600006	Throat hoop QC / T 390-T 40-45)	2	
12	275223521001	Hose (oil absorption)	1	
13	253523520015	Joint (locking bend 16-M24x1.5-0)	1	
14	910800100015	O-ring-inner 19x2.65	1	
15	255023520030	Joint (straight 12-2xM22x1.5-60 °)	1	
16	275223521004	Hydraulic pipe assembly 90 ° v 13-L 600-2 SC-60 °	1	
17	910800100021	O-ring-inside 11.2x2.65	2	
18	255023520007	Joint (straight 6-G1 / 4-M14x1.5-60 °)	2	
19	275223521006	Hydraulic pipe assembly 90 ° / L 700-1SC-60 °	1	
20	275223521005	Hydraulic pipe assembly (straight 6-L700-1SC-60 °)	1	
21	911000600004	Throat hoop QC / T 390-T 34-38)	2	
22	900200401003	Oil return hose 35x5	1	

# Hydraulic system

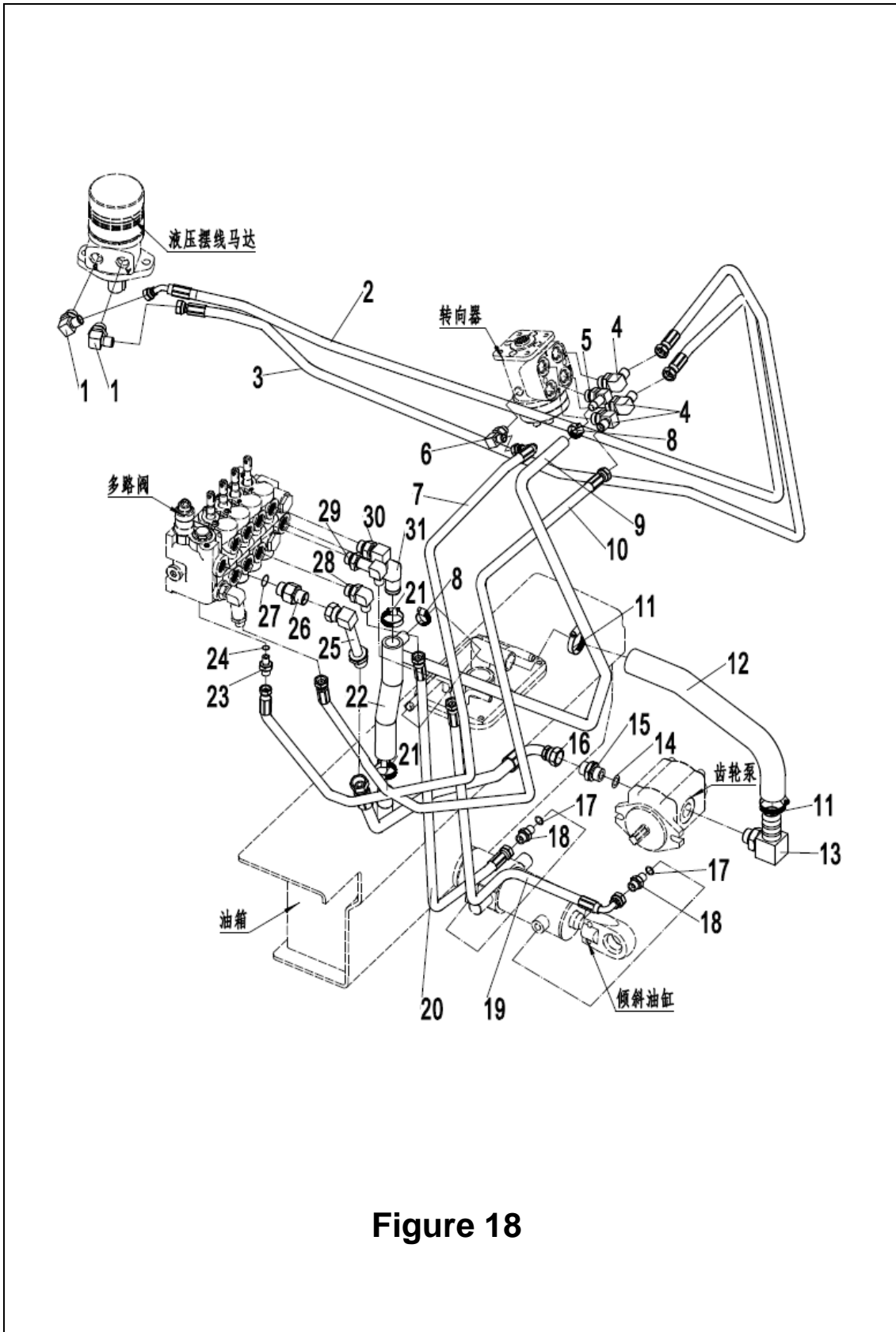


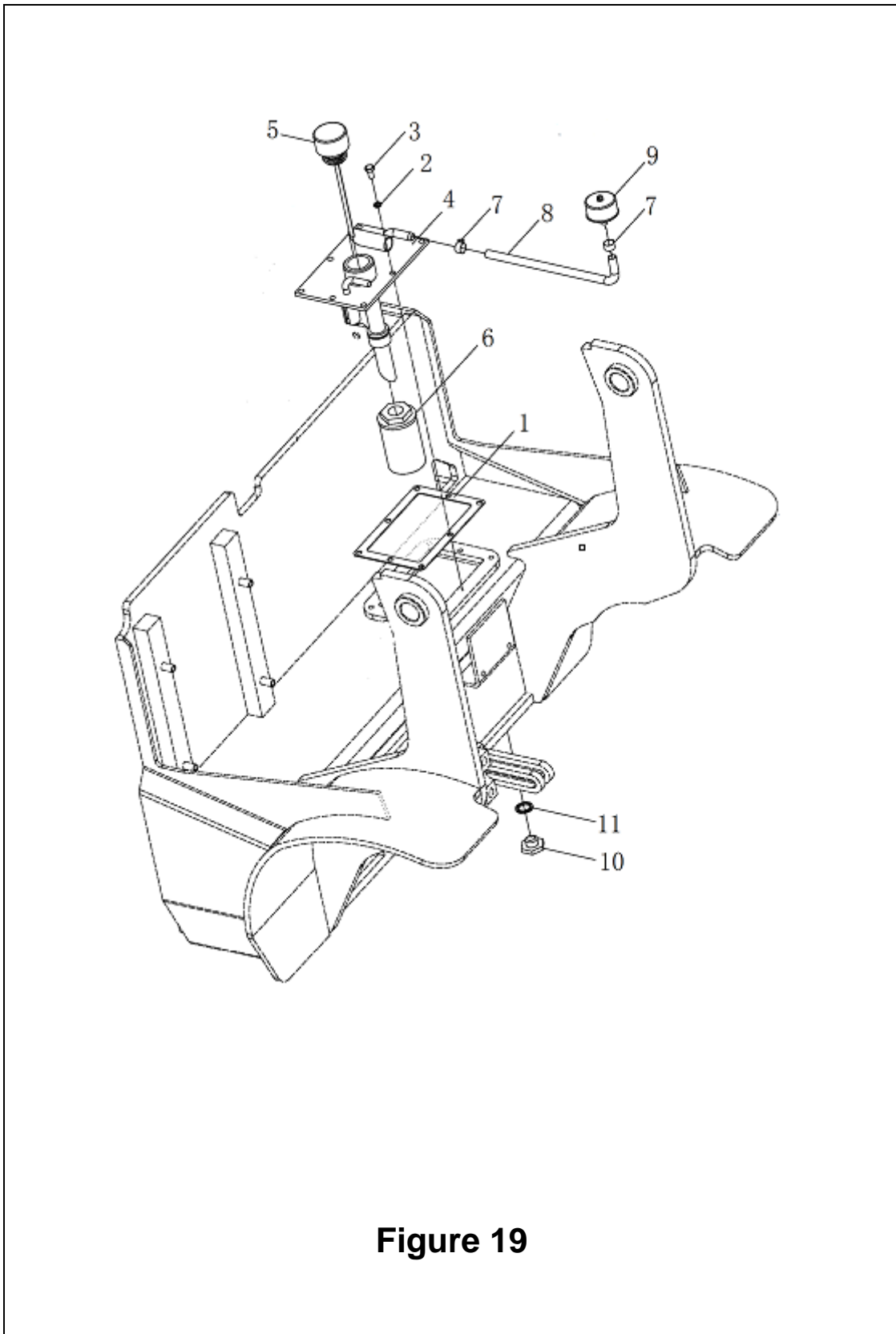
Figure 18

## Figure 18 Hydraulic system

NO	SN	Name	QTY	Remarks
23	281223521007	Joint (straight 6-M12x1.5-M14x1.5-60 °)	1	
24	910800100001	O-ring-inner 9.5 x 1.8	1	
25	275223511002	Multiway valve feed pipe welding	1	
26	255023520030	Joint (straight 12-2xM22x1.5-60 °)	1	
27	910800100015	O-ring-inner 19x2.65	1	
28	255023510007	Joint (locking bending 10-M20x1.5-M16x1.5-60 °)	1	
29	281225010001	Joint (locking bending 10-M20x1.5-M16x1.5-60 °)	1	
30	255044020143	Joint (locking bending 12-M20x1.5-M22x1.5-60 °)	1	
31	255023510002	Joint (steering bend 16-M22x1.5- Φ 25)	1	



## Working tank and installation



**Figure 19**

## **Figure 19 Working tank and installation**

NO	SN	Name	QTY	Remarks
1	275019020004	Gasket 180 x 120 x 1.5	1	
2	910400500006	Spring washer GB93-8	8	
3	910100300020	Bolt GB5783-M8x16-8.8	8	
4	275219010001	Cover board welding (fuel tank)	1	
5	275019010003	Ventilation screw plug $\Phi$ 37	1	
6	255019010004	Mesh filter WU63x100	1	
7	911000600002	Throat hoop QC / T 390-T (13-16)	2	
8	▲	Oil return hose 23x5	1	
9	253519010005	Respirator HS0403	1	
10	255019020015	Oil discharge plug M20x1.5	1	
11	910800900002	Combined washer JB982-22	1	

Note: ▲ spare parts are not provided separately

## Mast lifting pipeline (standard mast)

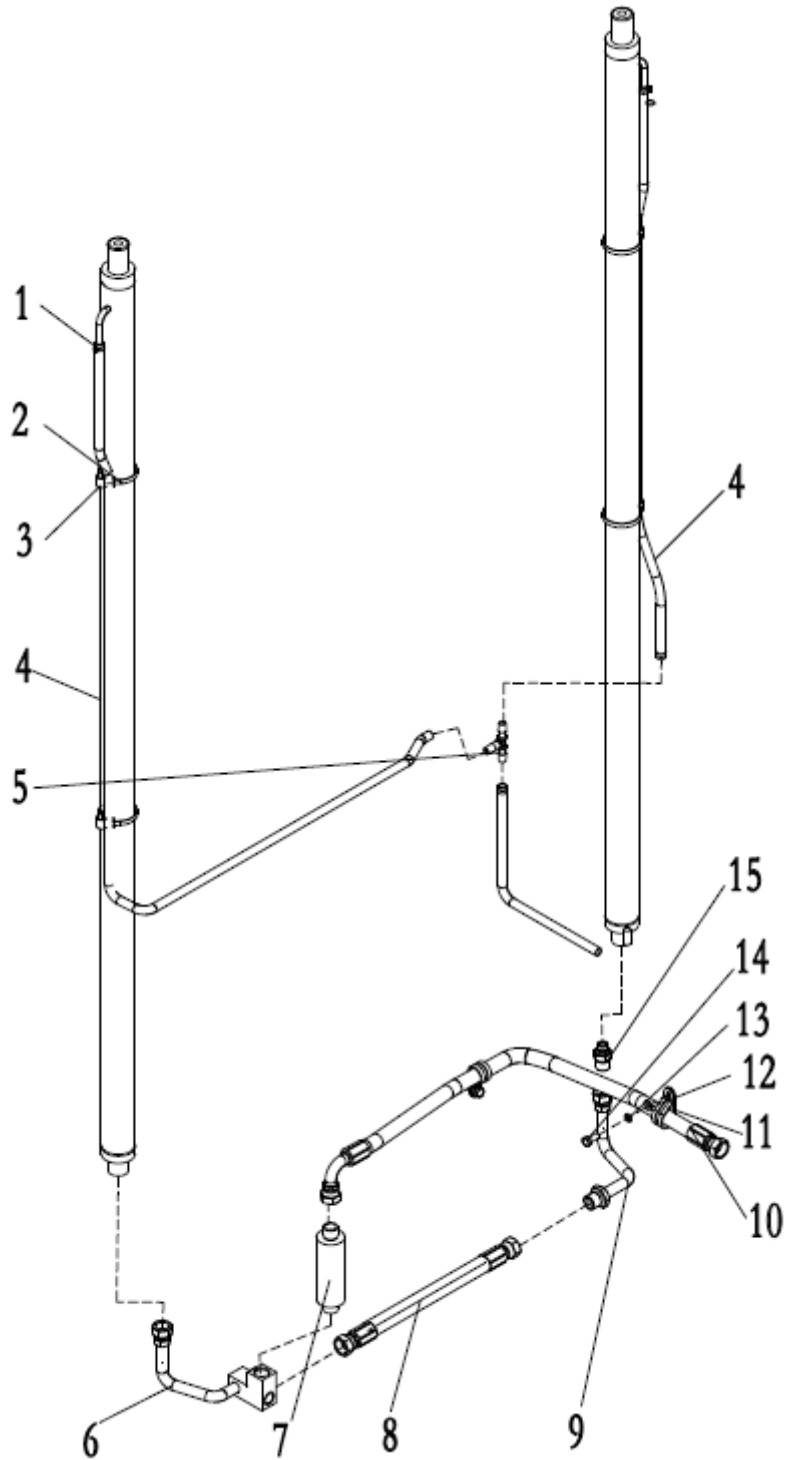


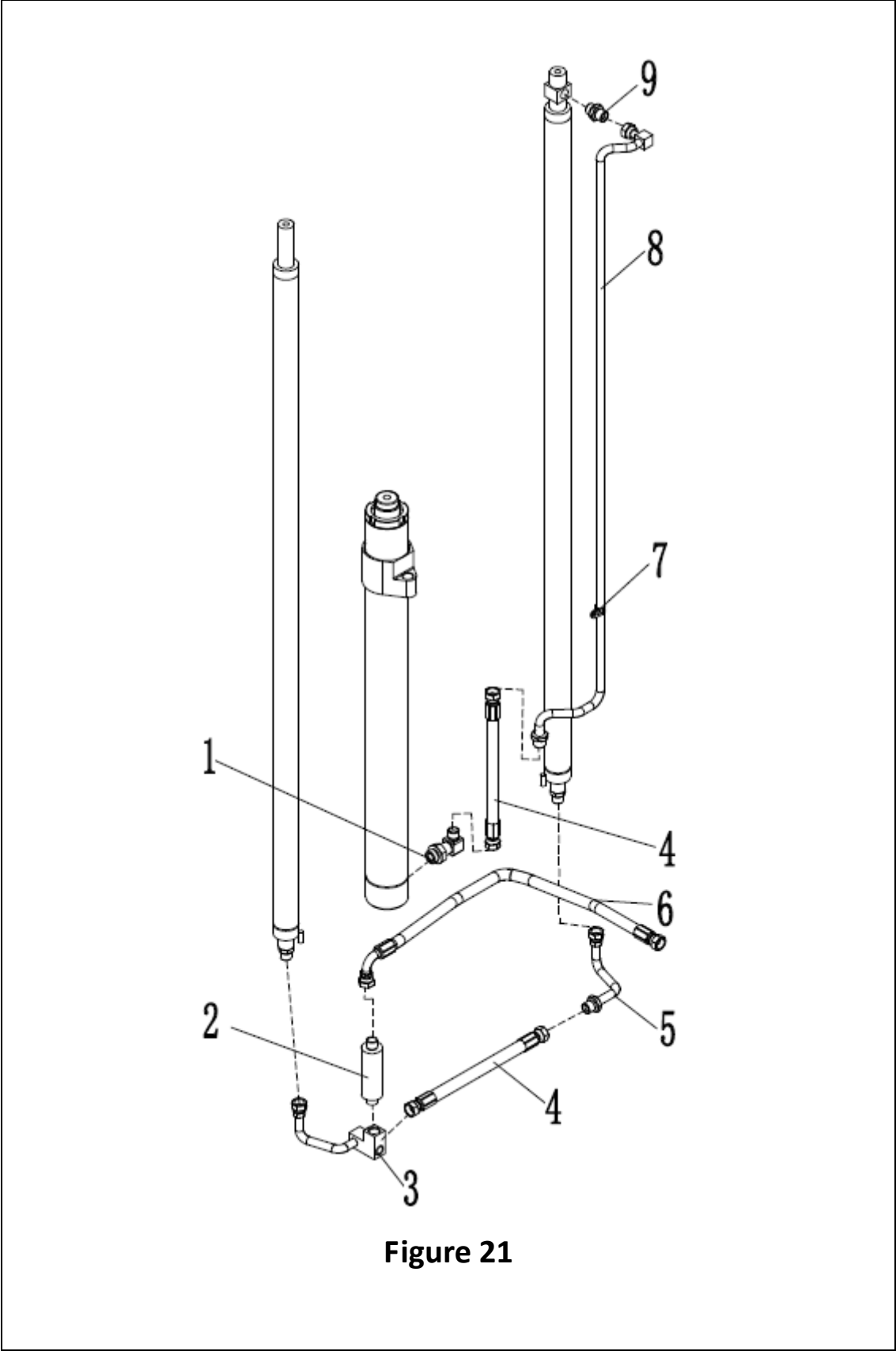
Figure 20

**Figure 20 Mast lifting pipeline (standard mast)**

NO	SN	Name	QTY	Remarks
1	255044020043	Clamp 13	6	
2	921600400001	Zipper 4x250	4	
3	255044020042	Pressure plate	4	
4	▲	Hose 13 x 1.5 PE	1	
5	255044020118	Joint (three-way)	1	
6	275244019001	Three way welding (left)	1	
7	275244019005	Speed limiting valve XSF-F16L-30	1	
8	275244019003	Hydraulic pipe assembly (13-L345-2SC-60 °)	1	
9	275244019002	Hydraulic pipe assembly (right)	1	
10	275244019004	Hydraulic pipe assembly (straight 13-L 800-2SC-60 °)	1	
11	951000100004	Pipe clip YGE coating adhesive 26	2	
12	910400100006	Flat washer GB97.1-8-200HV	2	
13	910400500006	Spring washer GB93-8	2	
14	910100300022	Bolt GB5783-M8x20-8.8	2	
15	275044020077	Direct head 16-22	1	

Note: ▲ spare parts are not provided separately

**Mast lifting pipeline (two stage full free lift)**

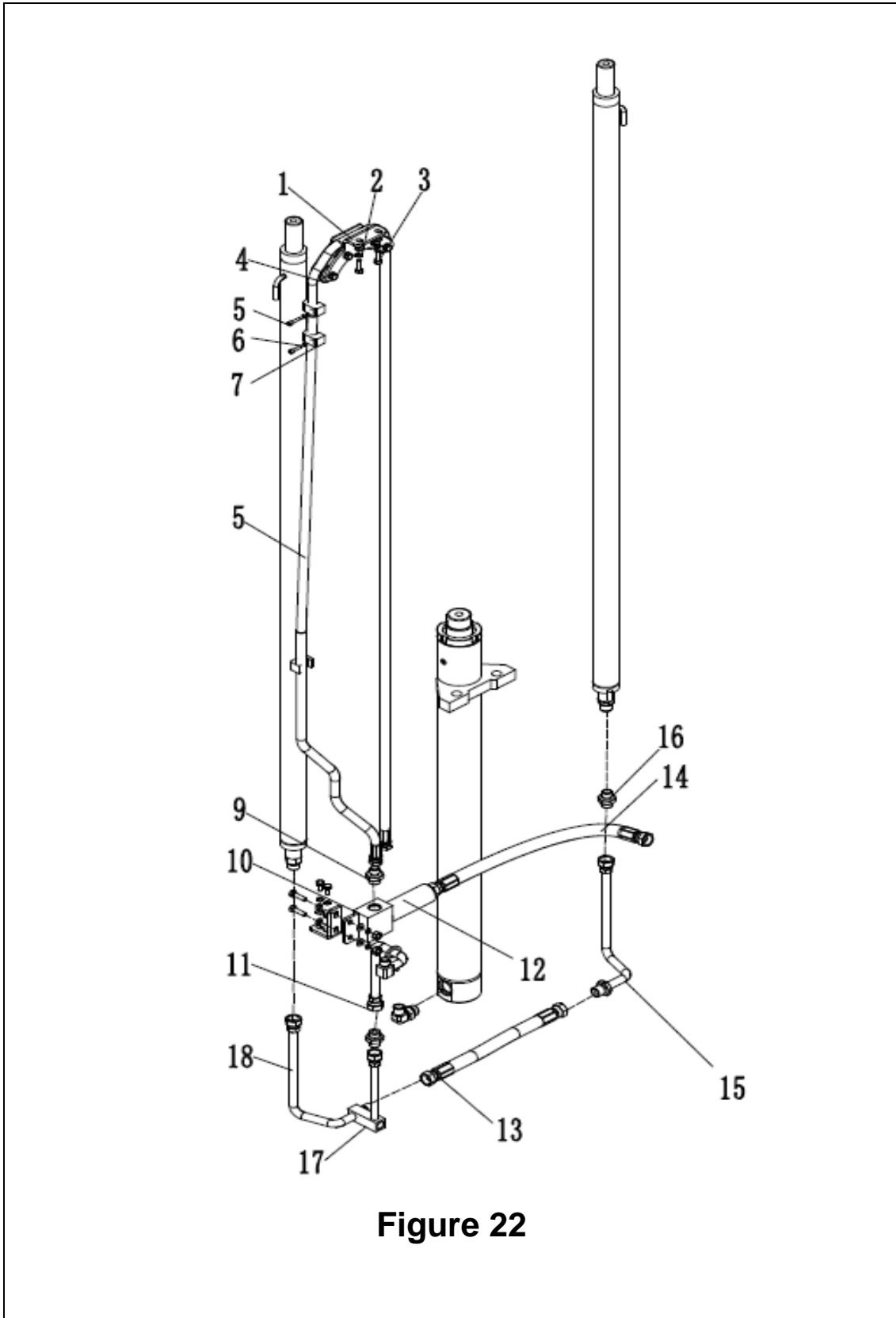


**Figure 21**

**Figure 21 Mast lifting pipeline (two stage full free lift)**

NO	SN	Name	QTY	Remarks
1	253523520005	Joint (locking bending 12-2xM22x1.5-60 °)	1	
2	254144020038	Joint (three-way)	1	
3	275244019001	Three way welding (left)	1	
4	254144020039	Hydraulic pipe assembly (straight 8-L370-2SC-60 °)	1	
5	275244019002	Hydraulic pipe assembly (right)	1	
6	255044020013	Hydraulic pipe assembly 45 °13-L 740-2SC-60 °	1	
7	951000100003	YGE clasp	1	
8	254143520050	Hoisting steel pipe welded L=1350	1	H=2500
	254143520051	Hoisting steel pipe welded L=1450	1	H=2700
	254143520052	Hoisting steel pipe welded L=1600	1	H=3000
	254143520053	Hoisting steel pipe welded L=1750	1	H=3300
	254143520054	Hoisting steel pipe welded L=1850	1	H=3500
	254143520055	Hoisting steel pipe welded L=1950	1	H=3700
	254143520056	Hoisting steel pipe welded L=2150	1	H=4000
	254143520057	Hoisting steel pipe welded L=2300	1	H=4300
	254143520058	Hoisting steel pipe welded L=2400	1	H=4500
	254143520059	Welded hoisting steel pipe L=2675	1	H=5000
9	255023520030	Joint (straight 12-2xM22x1.5-60 °)	1	

**Mast lifting pipeline (three stage full free lift)**



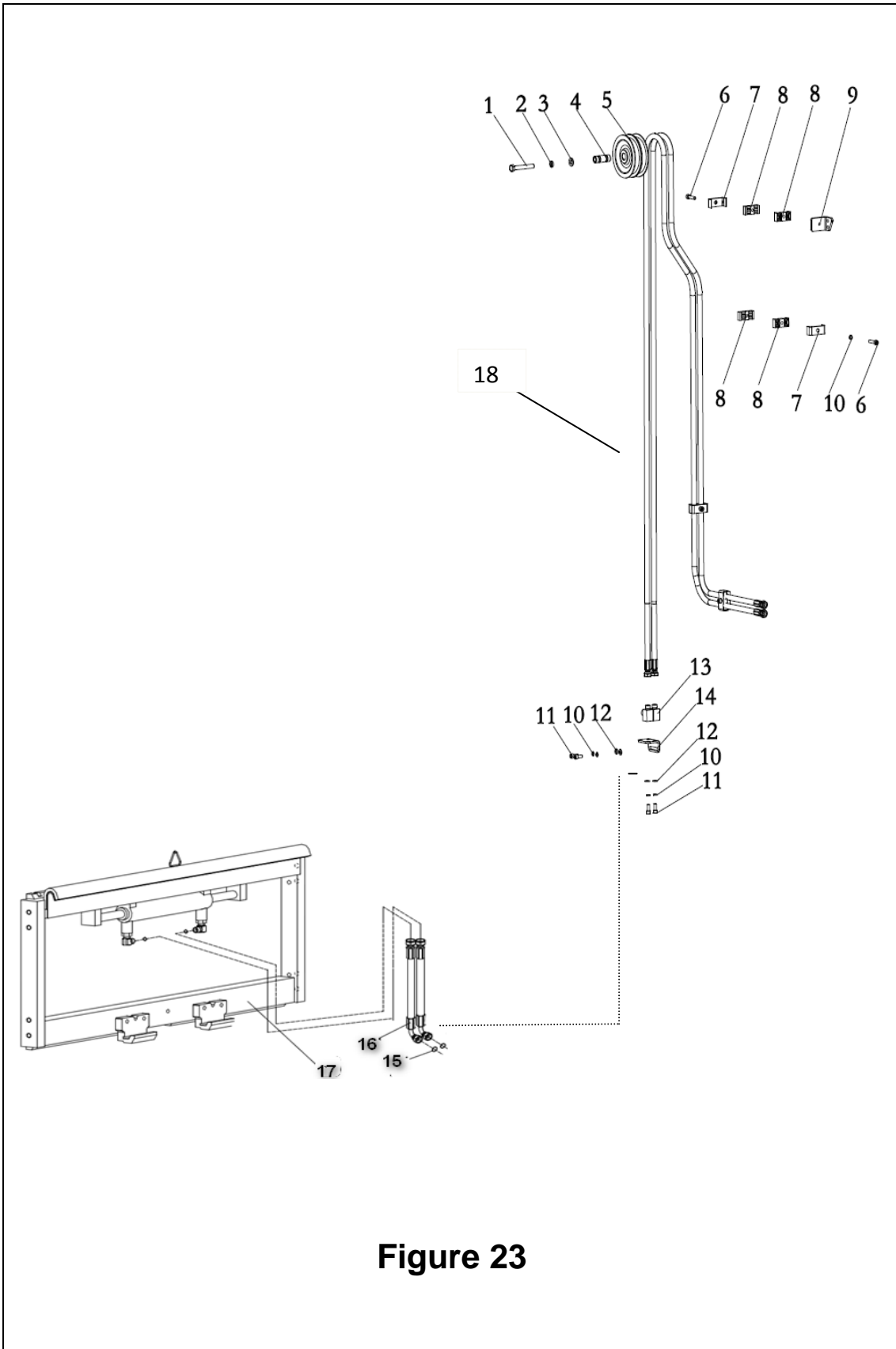
**Figure 22**

**Figure 22 Mast lifting pipeline (three stage full free lift)**

NO	SN	Name	QTY	Remarks
1	910100300023	Bolt GB5783-M8x25-8.8	2	
2	910400500006	Spring washer GB93-8	2	
3	910400100006	Flat washer GB97.1-8-200HV	2	
4	275244519002	Roller assembly assembly	1	
5	275244019002	Screw GB70.1-M6x25-8.8	3	
6	255044020013	Spring washer GB93-6	3	
7	951000100003	Tubing clamp	3	
8	275244529011	Hydraulic pipe assembly (straight 10-L3065-2SC-60 °)	1	H=4000
	275244529012	Hydraulic pipe assembly (straight 10-L3300-2SC-60 °)	1	H=4300
	275244529013	Hydraulic pipe assembly (straight 10-L3400-2SC-60 °)	1	H=4500
	275244529014	Hydraulic pipe assembly (straight 10-L3590-2SC-60 °)	1	H=4700
	275244529015	Hydraulic pipe assembly (straight 10-L3780-2SC-60 °)	1	H=4800
	275244529016	Hydraulic pipe assembly (straight 10-L4070-2SC-60 °)	1	H=5000
	275244529017	Hydraulic pipe assembly (straight 10-L4450-2SC-60 °)	1	H=5500
9	254144520040	Joint (straight) 10-M22x1.5-M18x1.5-60 °	2	
10	254144510022	Three way welding	1	
11	275244519004	Steel tube assembly (left)	1	
12	275044010057	Speed limiting valve XSF-F16L-30	1	
13	275244019003	Hydraulic pipe assembly (13-L345-2SC-60 °)	1	
14	255031020008	Hydraulic pipe assembly 135 °/ L 1000-1SC-60 °	1	
15	275244519006	Hydraulic pipe assembly (right)	1	
16	255044020122	Joint (straight 12-M20x1.5-M22x1.5-60 °)	1	
17	255044020151	Joint (locking bending 12-2xM22x1.5-60 °)	1	
18	275244519003	Middle cylinder transition pipe welding	1	



## Side shifter and pipeline installation (standard mast)

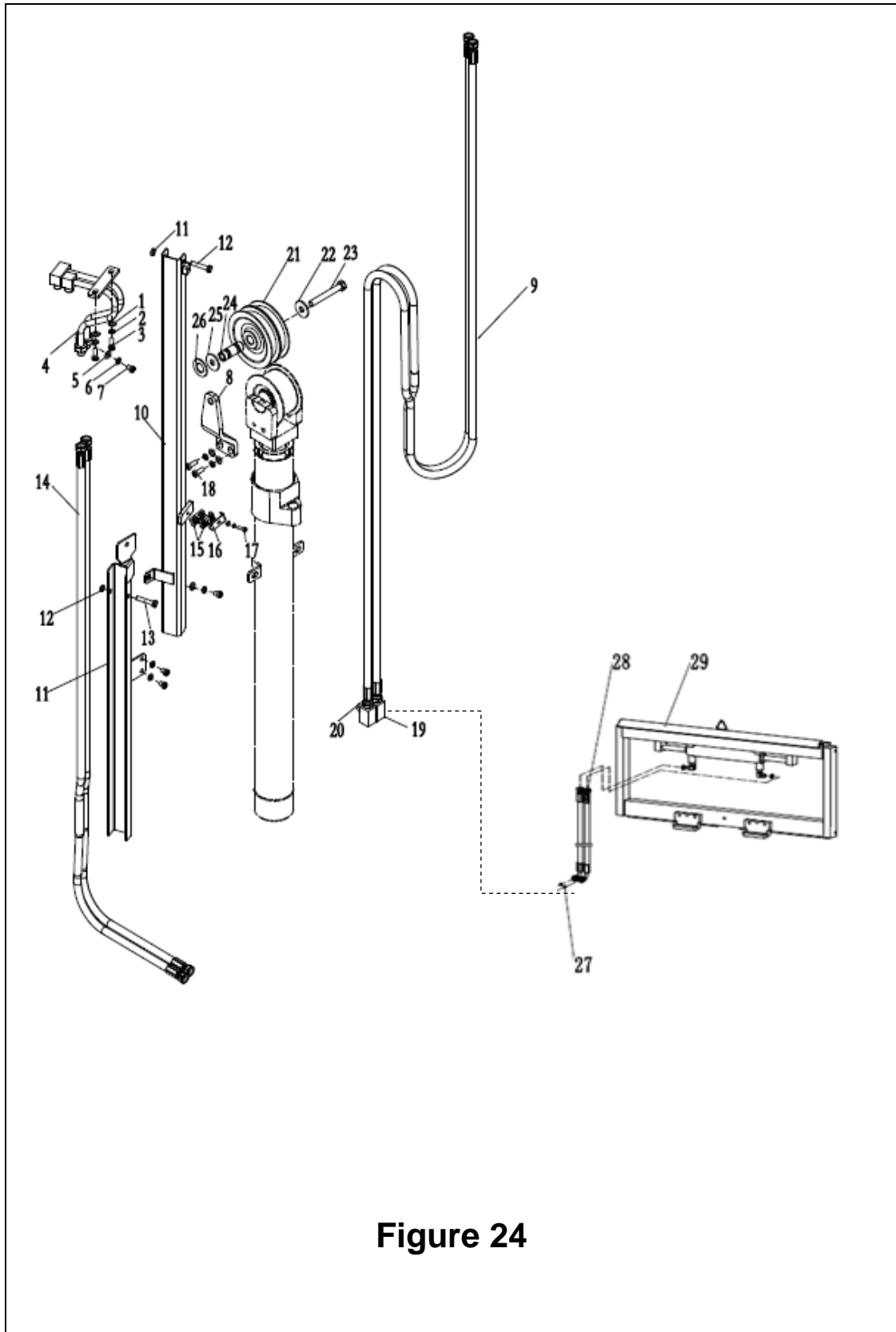


**Figure 23**

**Figure 23 Side shifter and pipeline installation (standard mast)**

NO	SN	Name	QTY	Remarks
1	910100100054	Bolt GB5782-M12x80-8.8	1	
2	910400500008	Spring washer GB93-12	1	
3	910400100008	Flat washer GB97.1-12-200HV	1	
4	255030520022	Bushing $\Phi$ 22x $\Phi$ 13x56	1	
5	255030520021	Pulley $\Phi$ 110x27 (single slot)	2	
6	910200200060	Screw GB70.1-M8x35-8.8	4	
7	255028520035	Mounting plate (pipe clamp)	4	
8	255028520034	Hose fixing block	8	
9	275227520001	Hose fixing plate (triplex)	1	
10	910400500006	Spring washer GB93-8	7	
11	910200200057	Screw GB70.1-M8x20-8.8	4	
12	910400100006	Flat washer GB97.1-8-200HV	4	
13	255028520001	Joint (locking bend 8-M16x1.5-M18x1.5-60 °)	2	
14	254127520001	Mounting plate	1	
15	910800100001	O-ring-inner 9.5 x 1.8	4	
16	253542520001	Anterior short tube	2	
17	253042510001	Side shifter assembly	1	
18	275227511001	Hydraulic pipe assembly ( 8-L3000-1SC-60 °)	1	H=2500
	255031020013	Hydraulic pipe assembly (8-L3180-1SC-60 °)	1	H=2700
	254128520040	Hydraulic pipe assembly (8-L3500-1SC-60 °)	1	H=3000
	281227511001	Hydraulic pipe assembly (8-L3800-1SC-60 °)	1	H=3300
	263030520003	Hydraulic pipe assembly (8-L4000-1SC-60 °)	1	H=3500
	281227511004	Hydraulic pipe assembly (8-L4200-1SC-60 °)	1	H=3700
	255028520062	Hydraulic pipe assembly (8-L4400-1SC-60 °)	1	H=4000
	275227511002	Hydraulic pipe assembly (s8-L4700-1SC-60 °)	1	H=4300
	281227511005	Hydraulic pipe assembly (8-L4900-1SC-60 °)	1	H=4500
	275227511003	Hydraulic pipe assembly (8-L5400-1SC-60 °)	1	H=5000

**Side shifter and pipeline installation (two stage full free)**

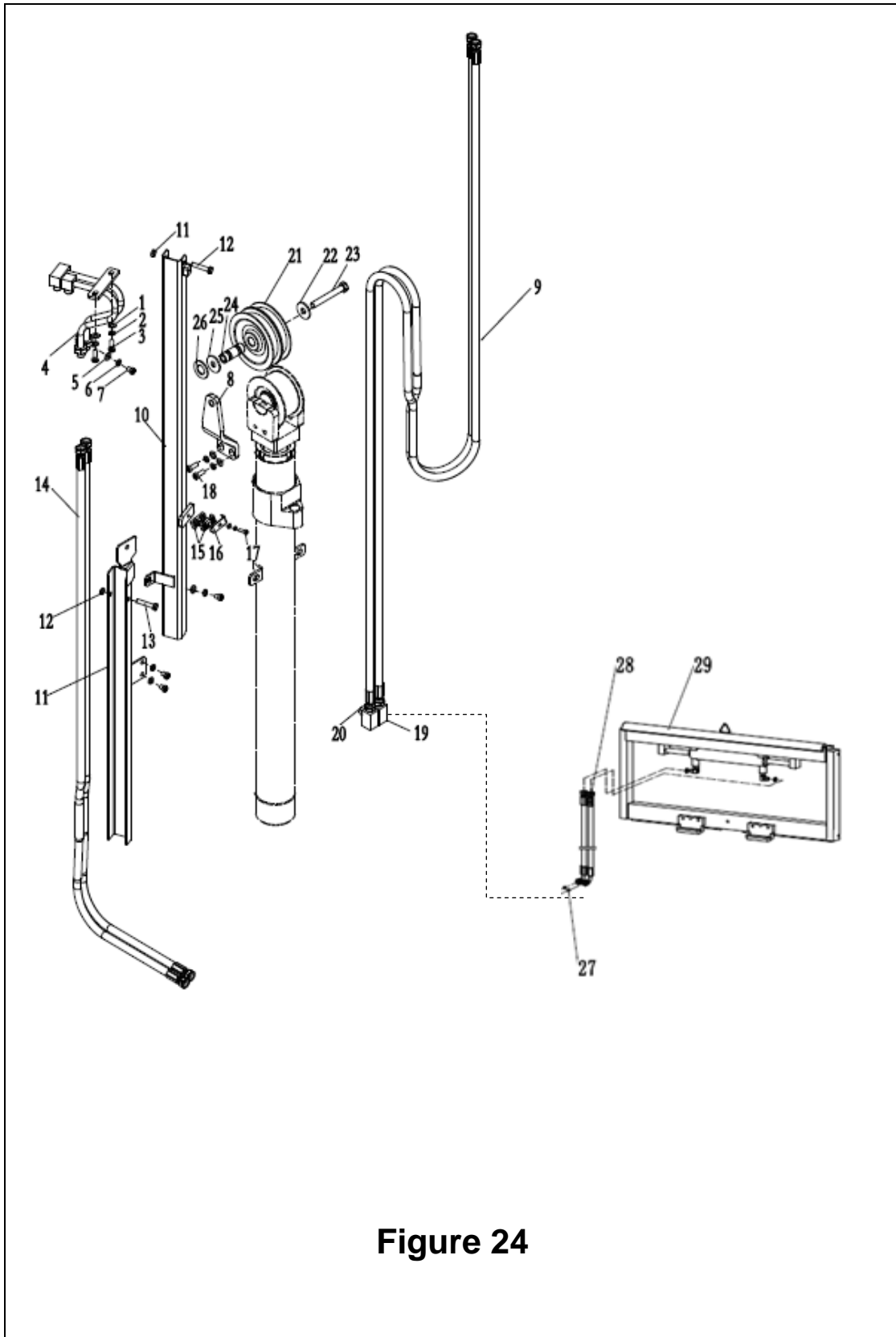


**Figure 24**

**Figure 24 Side shifter and pipeline installation (two stage full free)**

NO	SN	Name	QTY	Remarks
1	910400500006	Spring washer GB93-8	10	
2	910400100006	Flat washer GB97.1-8-200HV	6	
3	941100400001	Screw M8x20-8.8	4	
4	254128510001	Excessive pipe welding	1	
5	941100100009	Screw M6x12-8.8	2	
6	910400100005	Flat washer GB97.1-6-200HV	2	
7	910400500005	Spring washer GB93-6	2	
8	254128520059	Pulley support plate	1	
9	254128520031	Hydraulic pipe assembly (8-L2350-1CS-60 ° )	2	H=2500/2700
	252028520015	Hydraulic pipe assembly (8-L2650-1CS-60 ° )	2	H=3000/3300
	254128520035	Hydraulic pipe assembly (8-L2850-1CS-60 ° )	2	H=3500/3700
	254128520037	Hydraulic pipe assembly (8-L3150-1CS-60 ° )	2	H=4000/4300
	254128520039	Hydraulic pipe assembly (8-L3250-1CS-60 ° )	2	H=4500
	254128520040	Hydraulic pipe assembly (8-L3500-1CS-60 ° )	2	H=5000
10	254128510012	External grooves welded L=720	1	H=2500
	254128510013	External grooves welded L=820	1	H=2700
	254128510014	External grooves welded L=970	1	H=3000
	254128510015	External grooves welded L=1120	1	H=3300
	254128510016	External grooves welded L=1220	1	H=3500
	254128510017	External grooves welded L=1320	1	H=3700
	254128510018	External grooves welded L=1520	1	H=4000
	254128510019	External grooves welded L=1670	1	H=4300
	254128510020	External grooves welded L=1770	1	H=4500
	254128510021	External grooves welded L=2045	1	H=5000
11	254128510002	Internal groove welding L=400	1	H=2500
	254128510003	Internal groove welding L=500	1	H=2700
	254128510004	Internal groove welding L=650	1	H=3000
	254128510005	Internal groove welding L=800	1	H=3300
	254128510006	Internal groove welding L=900	1	H=3500
	254128510007	Internal groove welded L=1000	1	H=3700

**Side shifter and pipeline installation (two stage full free)**

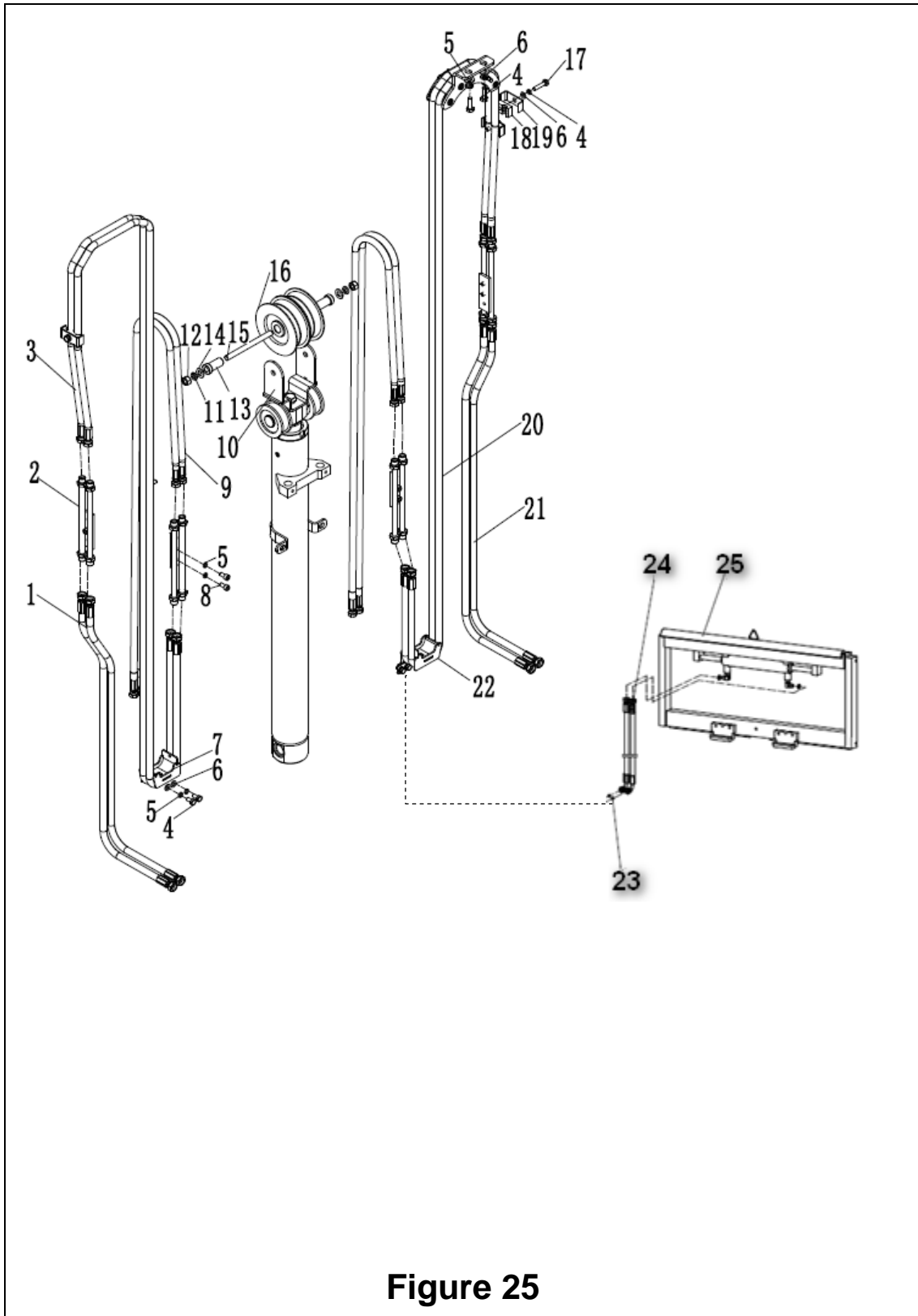


**Figure 24**

**Figure 24 Side shifter and pipeline installation (two stage full free)**

NO	SN	Name	QTY	Remarks
11	254128510008	Internal groove welding L=1200	1	H=4000
	254128510009	Internal groove welding L=1350	1	H=4300
	254128510010	Internal groove welding L=1450	1	H=4500
	254128510011	Internal groove welding L=1725	1	H=5000
12	910301300002	Nut GB17880.1-M6x16.5	2	
13	910100300016	Bolt GB5783-M6x50-8.8	2	
14	254128520041	Hydraulic pipe assembly(90° 8-L 1650-1SC-60° )	2	H=2500
	254128520042	Hydraulic pipe assembly(90° 8-L 1750-1SC-60° )	2	H=2700
	254128520043	Hydraulic pipe assembly (90° 8-L 1900-1SC-60° )	2	H=3000
	254128520044	Hydraulic pipe assembly (90° 8-L 2050-1SC-60° )	2	H=3300
	250528520002	Hydraulic pipe assembly (90° 8-L 2150-1SC-60° )	2	H=3500
	254128520046	Hydraulic pipe assembly( 90° 8-L 2250-1SC-60° )	2	H=3700
	252028520019	Hydraulic pipe assembly (90° 8-L 2450-1SC-60° )	2	H=4000
	254128520048	Hydraulic pipe assembly (90° 8-L 2400-1SC-60° )	2	H=4300
	252028520020	Hydraulic pipe assembly (90° 8-L 2700-1SC-60° )	2	H=4500
	254128520050	Hydraulic pipe assembly (90° 8-L2975-1SC-60° )	2	H=5000
15	255028520034	Hose fixing block	3	
16	255028520035	Mounting plate (pipe clamp)	2	
17	910100100024	Bolt GB5782-M8x50-8.8	2	
18	910200200059	Screw GB70.1-M8x30-8.8	2	
19	255029020024	Joint (locking jig 8-2xM16x1.5-60d)	2	
20	910200200060	Screw GB70.1-M8x35-8.8	2	
21	255030520021	Pulley Φ 110x27 (single slot)	2	
22	910400200005	Large washer GB96.1-12-200HV	2	
23	910100100058	Bolt GB5782-M12x100-8.8	1	
24	255030520022	Bushing Φ 22x Φ 13x56	1	
25	910400100008	Flat washer GB97.1-12-200HV	1	
26	910300500006	Nut GB889.1-M12-10	1	
27	910800100001	O-ring-inner 9.5 x 1.8	4	
28	253542520001	Anterior short tube	2	
29	253042510001	Side shifter assembly	1	

Side shifter and pipeline installation (three stage full free)



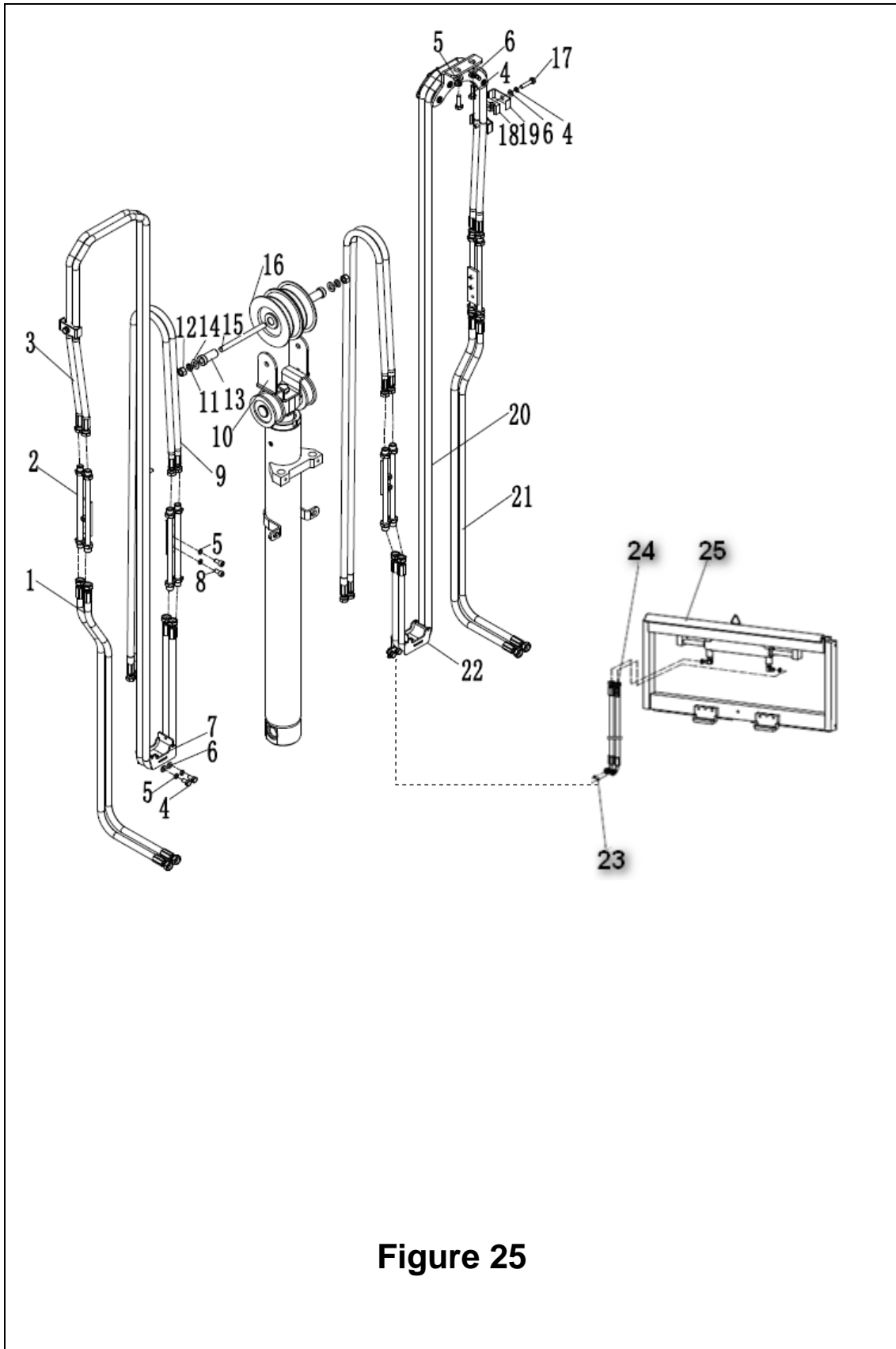
**Figure 25**

**Figure 25 Side shifter and pipeline installation (three stage full free)**

NO	SN	Name	QTY	Remarks
1	255023520036	Hydraulic pipe assembly (straight 8-L1800-1SC-60° )	2	
2	255028510022	Transition steel pipe	4	
3	263028520009	Hydraulic pipe assembly ( straight 8-L1470-1SC-60° )	2	H=4000
	255028520042	Hydraulic pipe assembly (straight 8-L1520-1SC-60° )	2	H=4350
	254128520035	Hydraulic pipe assembly ( straight 8-L2850-1SC-60° )	2	H=4500
	263028520010	Hydraulic pipe assembly (straight 8-L1600-1SC-60° )	2	H=4800
	275231019005	Hydraulic pipe assembly (straight 8-L 1650-1SC-60° )	2	H=5000
	255030520013	Hydraulic pipe assembly (straight 8-L 1710-1SC-60° )	2	H=5500
	255030520006	Hydraulic pipe assembly (straight 8-L 1800-1SC-60° )	2	H=6000
4	910100300020	Bolt GB5783-M8x16-8.8	6	
5	910400500006	Spring washer GB93-8	9	
6	910400500006	Flat washer GB97.1-8-200HV	11	
7	275231019004	Roller guide plate welding (quadruple)	1	
8	910200200060	Screw GB70.1-M8x16-8.8	9	
9	255028520010	Hydraulic pipe assembly ( straight 8-L1470-1SC-60° )	2	H=4000
	255029020013	Hydraulic pipe assembly (straight 8-L1520-1SC-60° )	2	H=4350
	275230529020	Hydraulic pipe assembly (straight 8-L1540-1SC-60° )	2	H=4500
	255029020015	Hydraulic pipe assembly (straight 8-L1600-1SC-60° )	2	H=4800
	254128520041	Hydraulic pipe assembly (straight 8-L 1650-1SC-60° )	2	H=5000
	255029020016	Hydraulic pipe assembly (straight 8-L1710-1 SC-60° )	2	H=5500
	255023520036	Hydraulic pipe assembly (straight 8-L1800-1SC-60° )	2	H=6000
10	275230519006	Hose support welding	1	
11	910400500008	Spring washer GB93-12	2	
12	910300100008	Nut GB6170-M12-10	2	
13	910400100008	Flat washer GB97.1-12-200HV	4	
14	255030520023	Bushing 1	2	
15	275230529002	Screw	1	
16	255030520020	Pulley Φ 120x42 (double grooves)	2	
17	910200200060	Screw GB70.1-M8x35-8.8	3	
18	255028520034	Hose fixing block	3	
19	255028520035	Mounting plate (pipe clamp)	3	
20	254130520007	Hydraulic pipe assembly (straight 8-L2120-1SC-60° )	2	H=4000



**Side shifter and pipeline installation (three stage full free)**

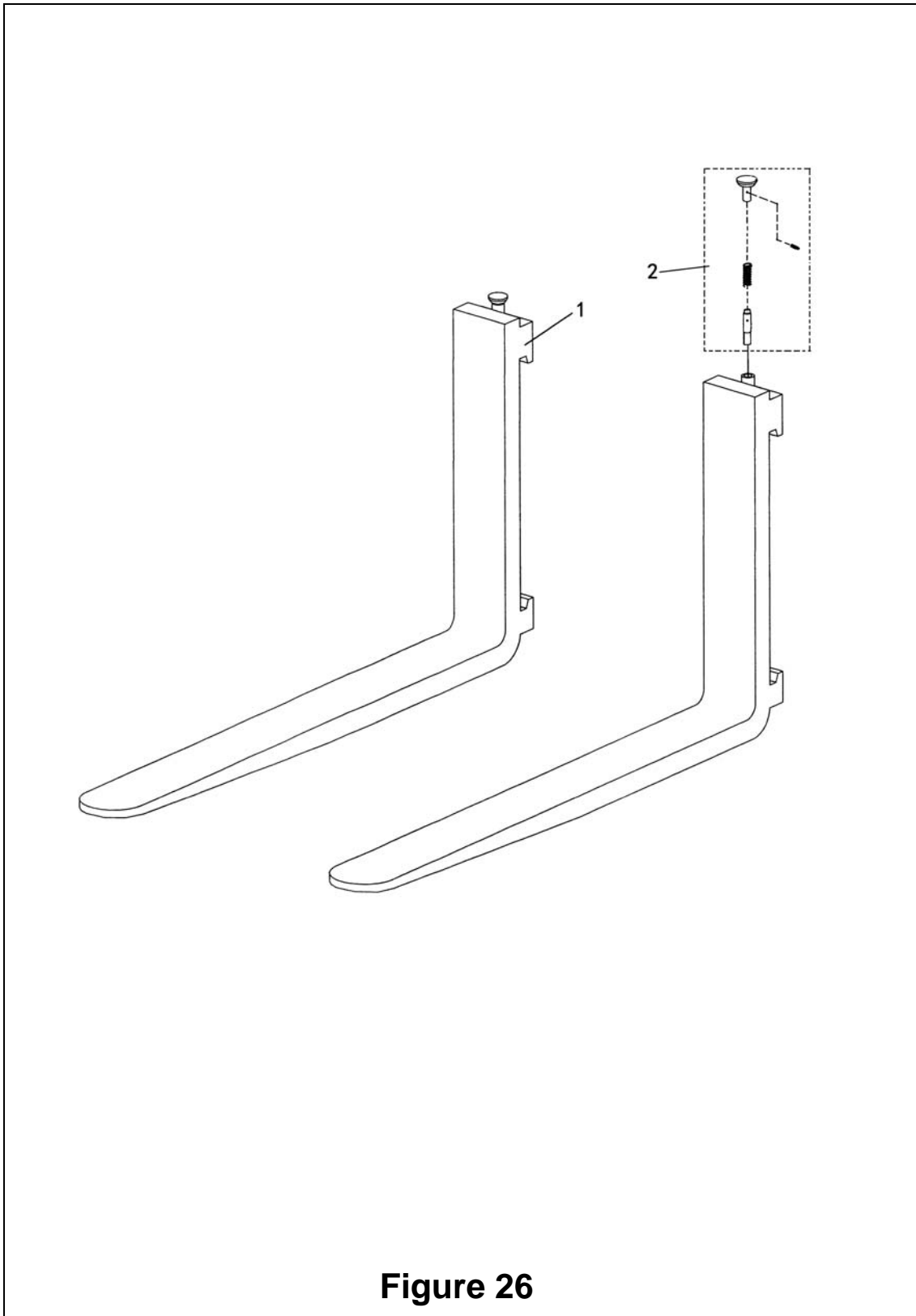


**Figure 25**

**Figure 25 Side shifter and pipeline installation (three stage full free)**

NO	SN	Name	QTY	Remarks
20	255029020019	Hydraulic pipe assembly (straight 8-L2360-1SC-60° )	2	H=4350
	275230529010	Hydraulic pipe assembly(straight 8-L2570-1SC-60° )	2	H=4500
	254128520052	Hydraulic pipe assembly ( straight 8-L2650-1SC-60° )	2	H=4800
	253528520013	Hydraulic pipe assembly ( straight 8-L2850-1SC-60° )	2	H=5000
	255031020012	Hydraulic pipe assembly (straight 8-L3180-1SC-60° )	2	H=5500
	275230529011	Hydraulic pipe assembly (straight 8-L 3550-1SC-60° )	2	H=6000
21	255030520012	Hydraulic pipe assembly (straight 8-L1400-1SC-60°)	2	
22	275230519007	Roller guide plate welding (triplex)	1	
23	910800100001	O-ring-inner 9.5 x 1.8	4	
24	253542520001	Anterior short tube	2	
25	253042510001	Side shifter assembly	1	

# Fork



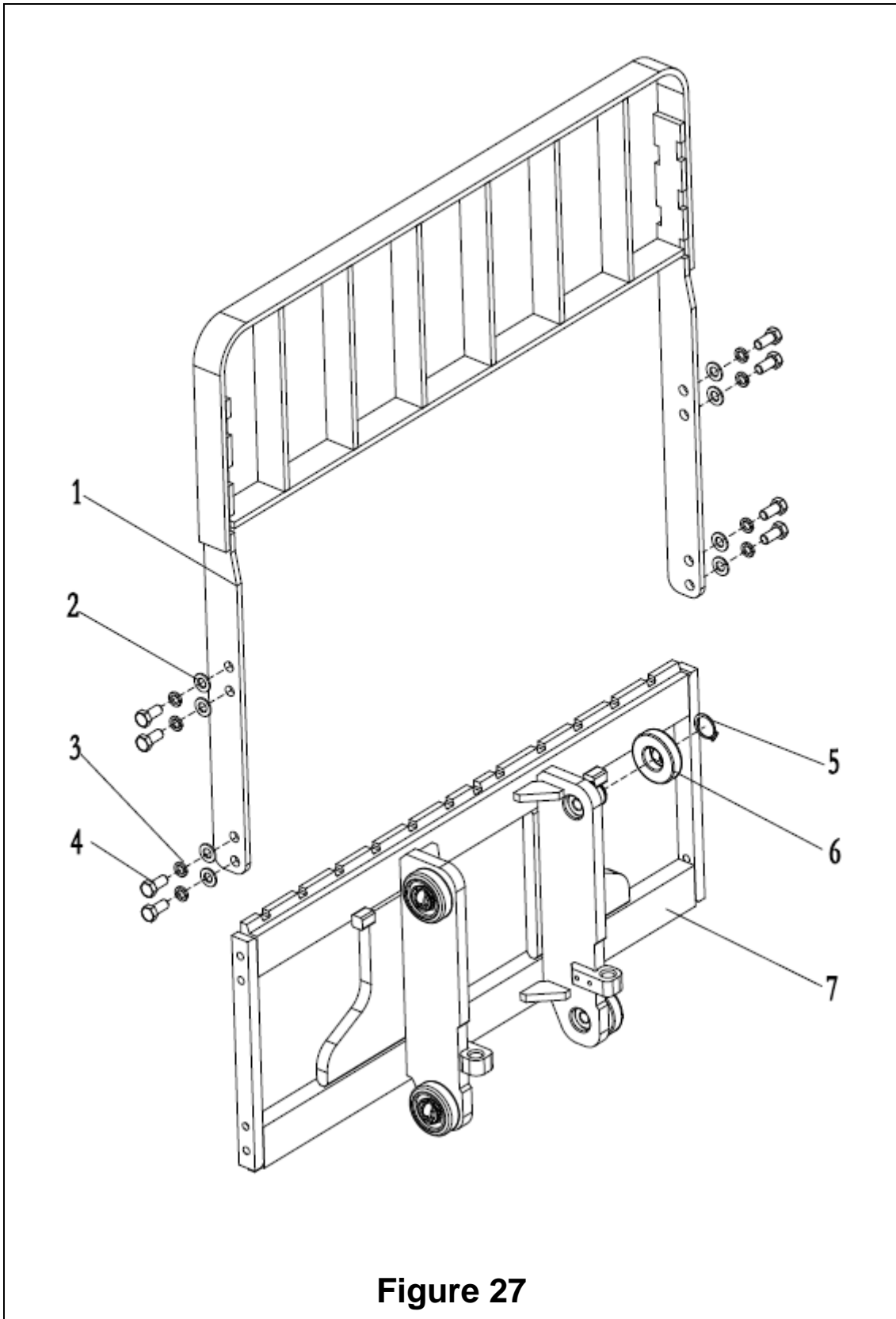
**Figure 26**

**Figure 26****Fork**

NO	SN	Name	QTY	Remarks
A	940100100001	Hook Type II A forks 100 x 35 x 920	2	Inc.1-2
	940100100002	Hook type II A forks 100x35x950	2	
	940100100003	Hook Type II A forks 100 x 35 x 1070	2	
	940100100004	Hook Type II A forks 100 x 35 x 1150	2	
	940100100005	Hook Type II A forks 100 x 35 x 1220	2	
	940100100006	Hook Type II A forks 100 x 35 x 1370	2	
	940100100007	Hook Type II A forks 100 x 35 x 1520	2	
1	▲	Fork body	2	
2	253098514101	Raising and selling assembly	2	

Note: ▲spare parts are not provided separately

## Fork carrier (standard mast)



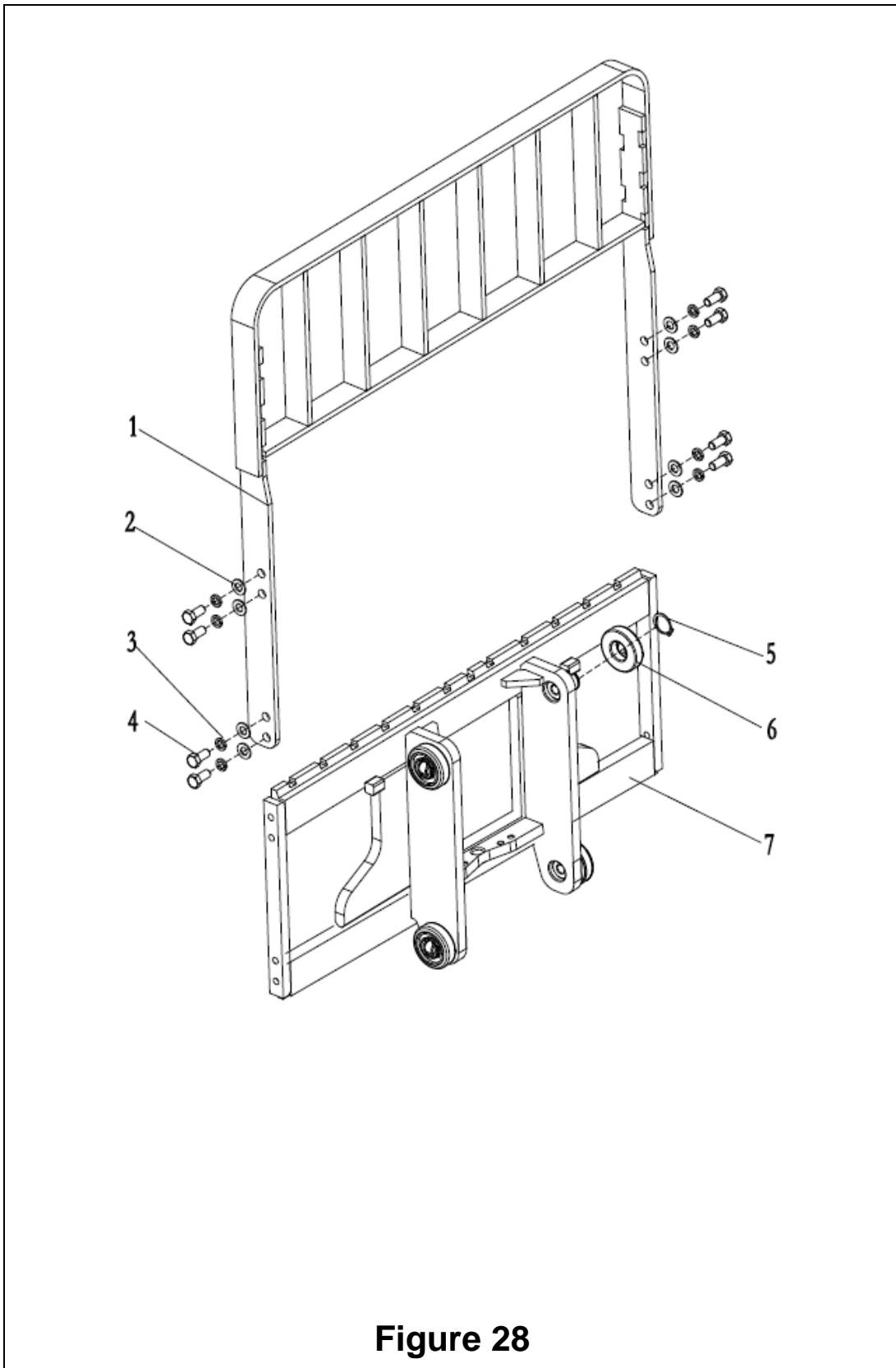
**Figure 27**

**Figure 27 Fork carrier (standard mast)**

---

NO	SN	Name	QTY	Remarks
1	275240511001	Block shelf soldering (980x990)	1	
2	910400100009	Flat washer GB97.1-14-200HV	8	
3	910400500009	Spring washer GB93-14	8	
4	910100300062	Bolt GB5783-M14x30-8.8	8	
5	910401300018	Shaft elastic ring GB894.1-35	4	
6	940200300007	Compound roller $\Phi$ 78.3-range 45.3-49.3	4	
7	275238011001	Fork frame welding standard mast)	1	

## Fork carrier (two stage full free)



**Figure 28**

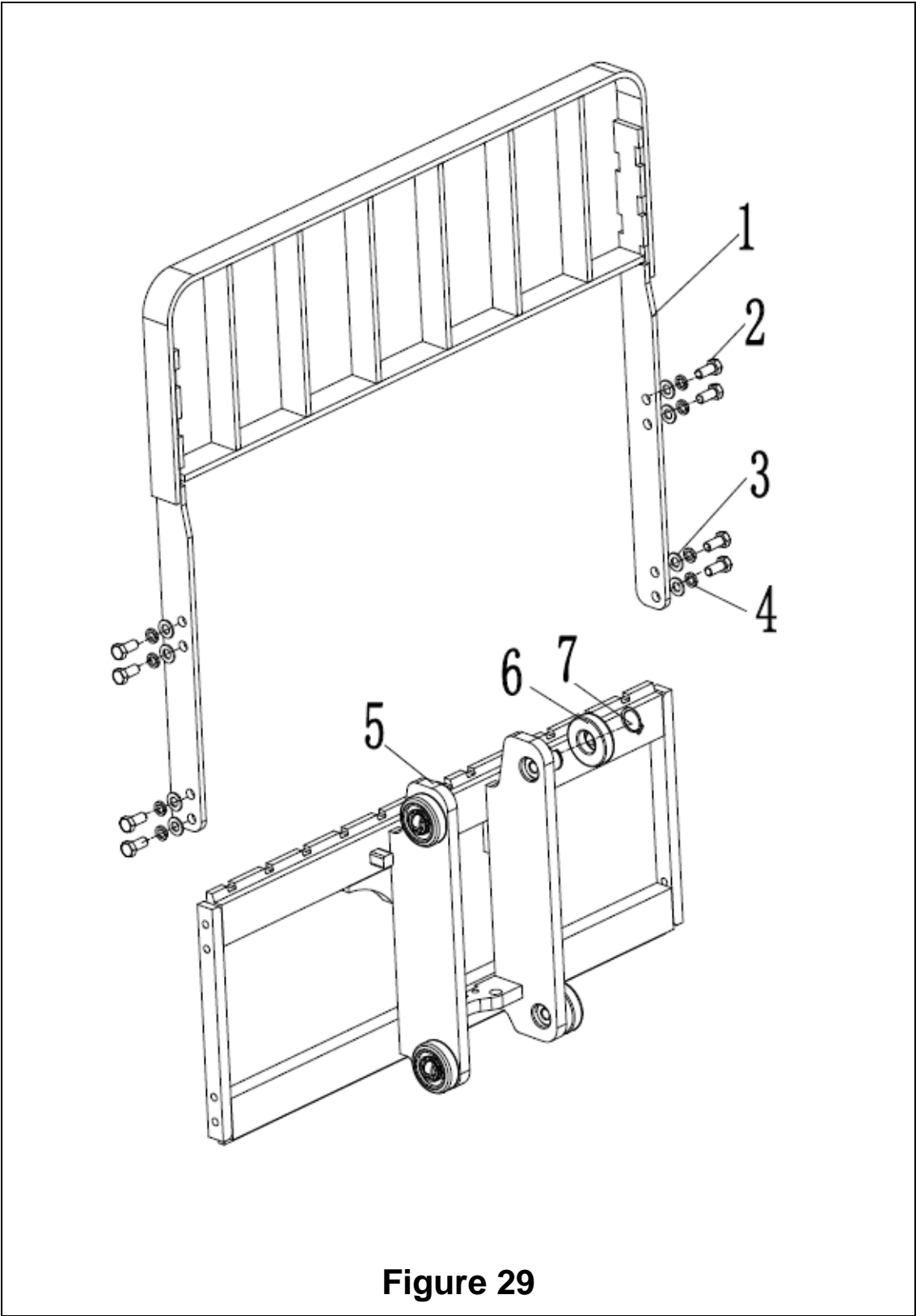
**Figure 28 Fork carrier (two stage full free)**

---

NO	SN	Name	QTY	Remarks
1	275240511001	Block shelf soldering (980x990)	1	
2	910400100009	Flat washer GB97.1-14-200HV	8	
3	910400500009	Spring washer GB93-14	8	
4	910100300062	Bolt GB5783-M14x30-8.8	8	
5	910401300018	Shaft elastic ring GB894.1-35	4	
6	940200300007	Compound roller $\Phi$ 78.3-range 45.3-49.3	4	
7	275238012001	Fork frame welding (two stage full free )	1	



**Fork carrier (three stage full free)**



**Figure 29**

**Figure 29 Fork carrier (three stage full free)**

---

NO	SN	Name	QTY	Remarks
1	275240511001	Block shelf soldering(980x990)	1	
2	910400100009	Flat washer GB97.1-14-200HV	8	
3	910400500009	Spring washer GB93-14	8	
4	910100300062	Bolt GB5783-M14x30-8.8	8	
5	910401300018	Shaft elastic ring GB894.1-35	4	
6	940200300007	Compound roller $\Phi$ 78.3-range 45.3-49.3	4	
7	275238011001	Fork frame welding (three-stage fully free)	1	

# Mast (standard mast)

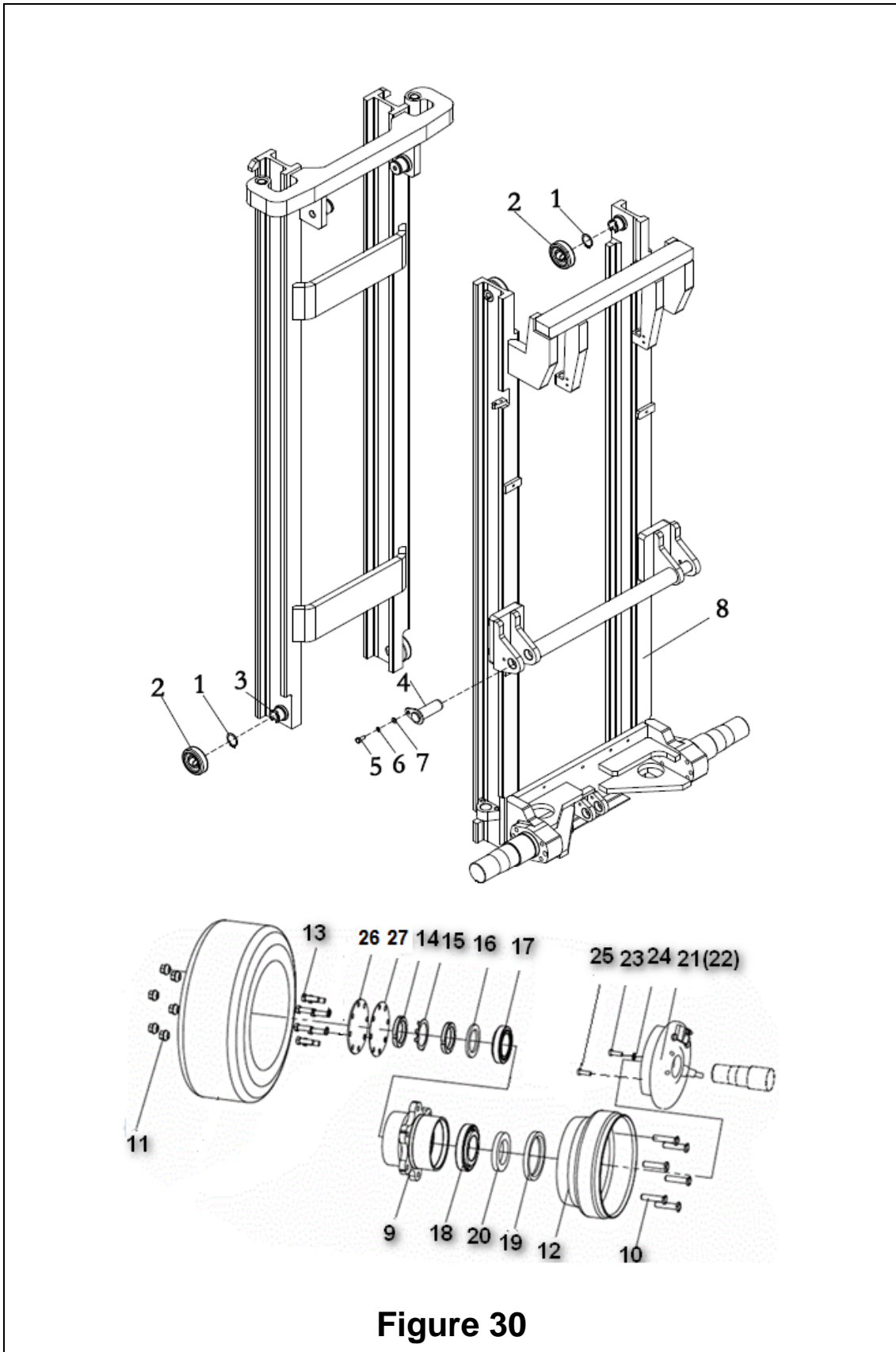


Figure 30

**Figure 30 Mast(standard mast)**

NO	SN	Name	QTY	Remarks
1	910401300018	Shaft elastic ring GB894.1-35	4	
2	940200300007	Compound roller $\Phi$ 78.3-range 45.3-49.3	4	
3	275244012001	Inner mast 2500	1	H=2500
	275244012002	Inner mast 2700	1	H=2700
	275244012003	Inner mast 3000	1	H=3000
	275244012004	Inner mast 3300	1	H=3300
	275244012005	Inner mast 3500	1	H=3500
	275244012006	Inner mast 3700	1	H=3700
	275244012007	Inter mast 4000	1	H=4000
	275244012008	Inner mast 4300	1	H=4300
	275244012009	Inner mast 4500	1	H=4500
	275244012010	Inner mast 5000	1	H=5000
4	255044010057	Auricular axis $\Phi$ 30x82	2	
5	910100300022	Bolt GB5783-M8x20-8.8	2	
6	910400500006	Spring washer GB93-8	2	
7	910400100006	Flat washer GB97.1-8-200HV	2	
8	275244011001	Outer mast 2500	1	H=2500
	275244011002	Outer mast 2700	1	H=2700
	275244011003	Outer mast 3000	1	H=3000
	275244011004	Outer mast 3300	1	H=3300
	275244011005	Outer mast 3500	1	H=3500
	275244011006	Outer mast 3700	1	H=3700
	275244011007	Outer mast 4000	1	H=4000
	275244011008	Outer mast 4300	1	H=4300
	275244011009	Outer mast 4500	1	H=4500
	275244011009	Outer mast 5000	1	H=5000

# Mast(standard mast)

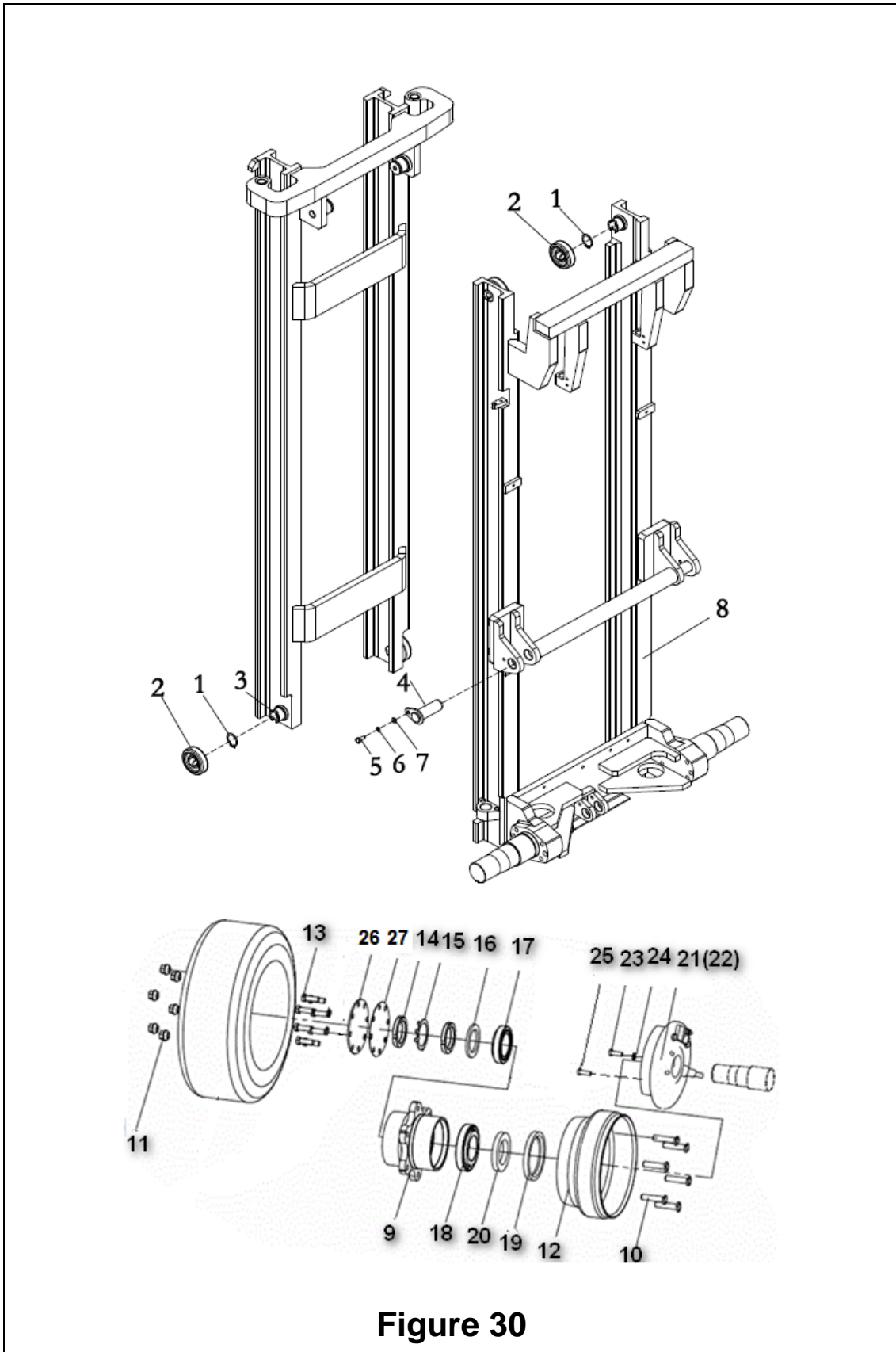


Figure 30

**Figure 30 Mast(standard mast)**

---

NO	SN	Name	QTY	Remarks
9	275015520003	Drive axle hub	2	
10	275015520004	Front rim bolt	12	
11	275015520005	Tyre nut	12	
12	275015520006	Brake drum	2	
13	910100400012	Bolt	12	
14	910300700005	Nut	4	
15	910400900013	Stop washer for round nut	2	
16	275015520007	Small washer	2	
17	910700600020	Bearing	2	
18	910700600021	Bearing	2	
19	910800700001	Skeleton oil seal	2	
20	275015520008	Large washer	2	
21	275015510004	Left brake assembly	1	
22	275015510005	Right brake assembly	1	
23	910100400024	Hexagonal head bolt	8	
24	910400500009	Spring washer	12	
25	910100400022	Hexagonal head bolt	4	
26	275015520001	Cover plate	2	
27	275015520002	Paper pad	2	

# Mast (two stage full free)

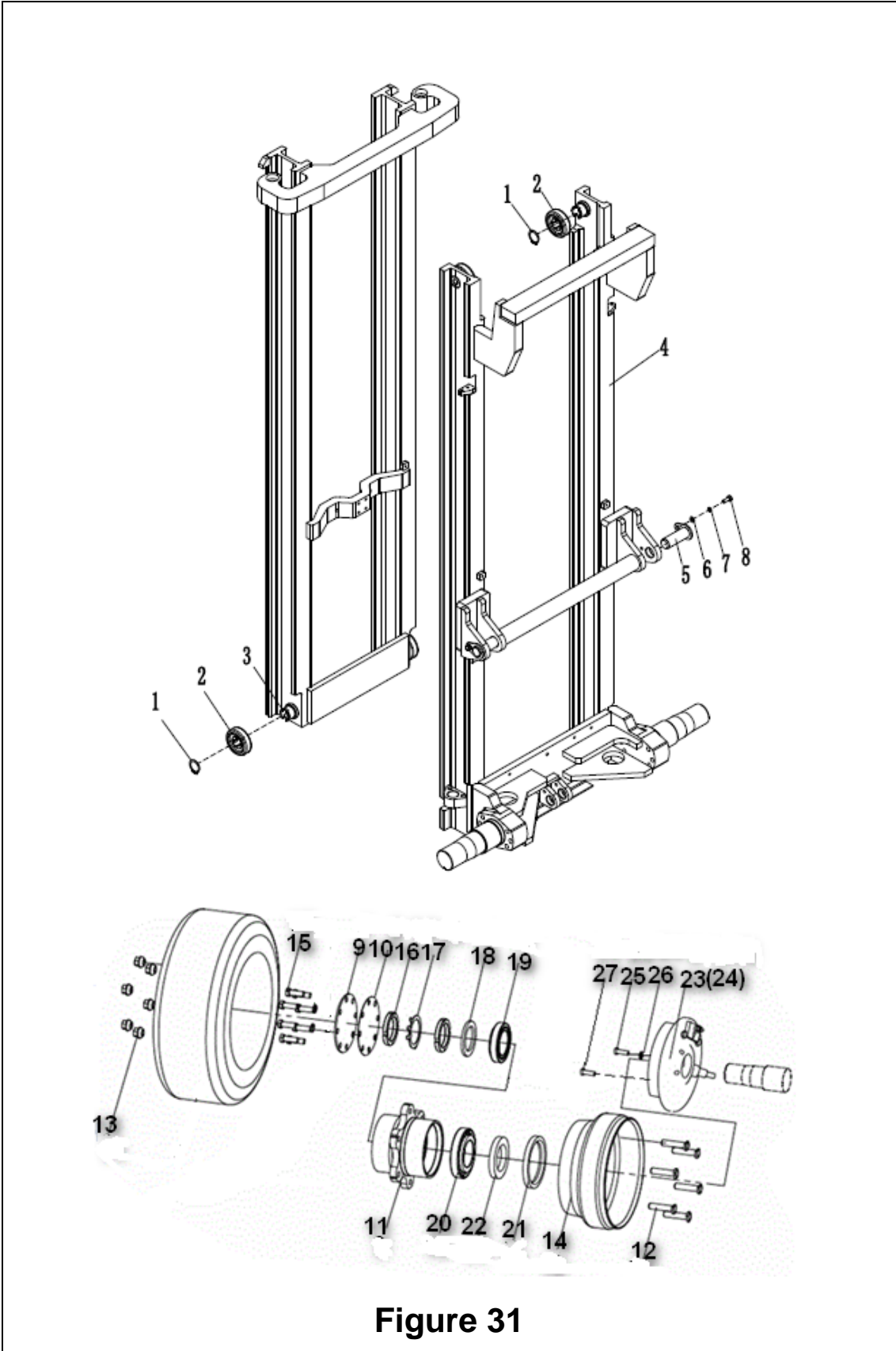


Figure 31

**Figure 31 Mast (two stage full free)**

NO	SN	Name	QTY	Remarks
1	910401300018	Shaft elastic ring GB894.1-35	4	
2	940200300007	Compound roller $\Phi$ 78.3-range 45.3-49.3	4	
3	275243512001	Inner mast 2500	1	H=2500
	275243512002	Inner mast 2700	1	H=2700
	275243512003	Inner mast 3000	1	H=3000
	275243512004	Inner mast 3300	1	H=3300
	275243512005	Inner mast 3500	1	H=3500
	275243512006	Inner mast 3700	1	H=3700
	275243512007	Inner mast 4000	1	H=4000
	275243512008	Inner mast 4300	1	H=4300
	275243512009	Inner mast 4500	1	H=4500
	275243512010	Inner mast 5000	1	H=5000
4	275243511001	Outer mast 2500	1	H=2500
	275243511002	Outer mast 2700	1	H=2700
	275243511003	Outer mast 3000	1	H=3000
	275243511004	Outer mast 3300	1	H=3300
	275243511005	Outer mast 3500	1	H=3500
	275243511006	Outer mast 3700	1	H=3700
	275243511007	Outer mast 4000	1	H=4000
	275243511008	Outer mast 4300	1	H=4300
	275243511009	Outer mast 4500	1	H=4500
	275243511010	Outer mast 5000	1	H=5000
5	255044010057	Auricular axis $\Phi$ 30x82	2	
6	910100300022	Bolt GB5783-M8x20-8.8	2	
7	910400500006	Spring washer GB93-8	2	
8	910400100006	Flat washer GB97.1-8-200HV	2	
9	275015520001	Cover plate	2	
10	275015520002	Paper pad	2	
11	275015520003	Drive axle hub	2	



## Mast (two stage full free)

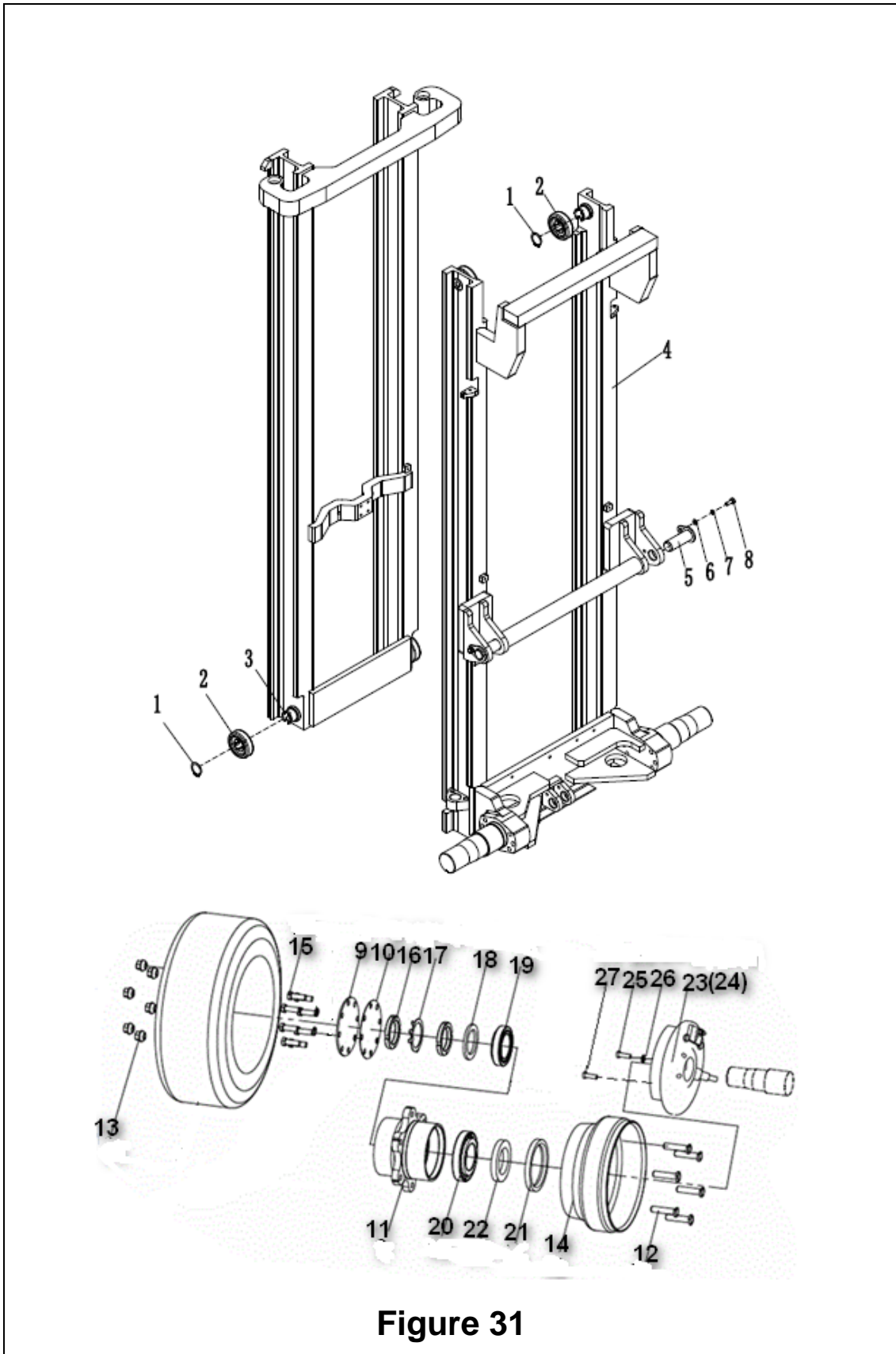


Figure 31

**Figure 31 Mast (two stage full free)**

---

NO	SN	Name	QTY	Remarks
12	275015520004	Front rim bolt	12	
13	275015520005	Tyre nut	12	
14	275015520006	Brake drum	2	
15	910100400012	Bolt	12	
16	910300700005	Nut	4	
17	910400900013	Stop washer for round nut	2	
18	275015520007	Small washer	2	
19	910700600020	Bearing	2	
20	910700600021	Bearing	2	
21	910800700001	Skeleton oil seal	2	
22	275015520008	Large washer	2	
23	275015510004	Left brake assembly	1	
24	275015510005	Right brake assembly	1	
25	910100400024	Hexagonal head bolt	8	
26	910400500009	Spring washer	12	
27	910100400022	Hexagonal head bolt	4	

# Mast (three stage full free)

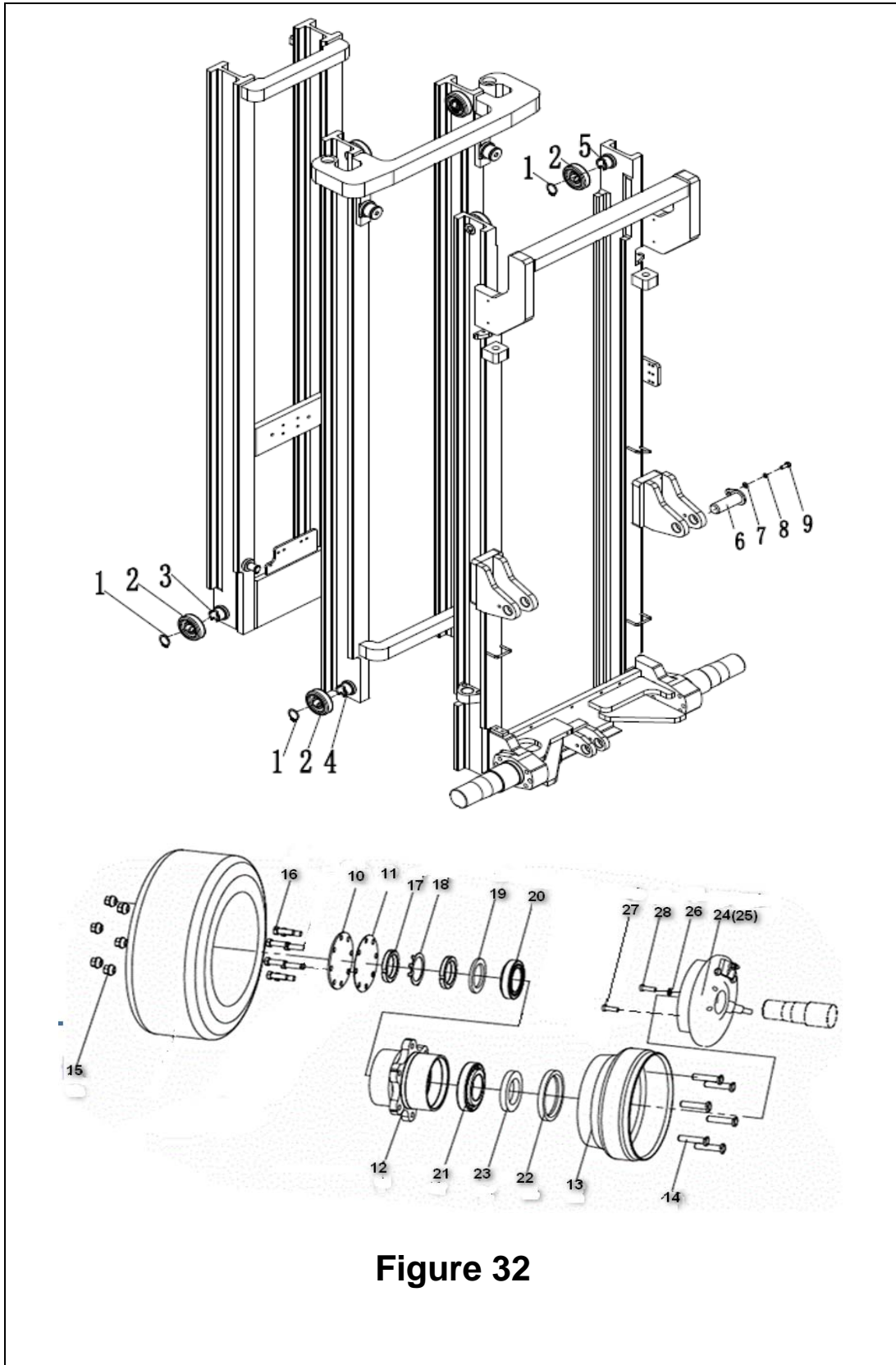


Figure 32

**Figure 32 Mast (three stage full free)**

NO	SN	Name	QTY	Remarks
1	910401300018	Shaft elastic ring GB894.1-35	4	
2	940200300007	Compound roller $\Phi$ 78.3-range 45.3-49.3	4	
3	275244512001	Inner mast 4000	1	H=4000
	275244512002	Inner mast 4350	1	H=4350
	275244512003	Inner mast 4500	1	H=4500
	275244512004	Inner mast 4800	1	H=4800
	275244512005	Inner mast 5000	1	H=5000
	275244512006	Inner mast 5500	1	H=5500
	275244512007	Inner mast 6000	1	H=6000
4	275244513001	Middle mast 4000	1	H=4000
	275244513002	Middle mast 4350	1	H=4350
	275244513003	Middle mast 4500	1	H=4500
	275244513004	Middle mast 4800	1	H=4800
	275244513005	Middle mast 5000	1	H=5000
	275244513006	Middle mast 5500	1	H=5500
	275244513007	Middle mast 6000	1	H=6000
5	275244511001	Outer mast 4000	1	H=4000
	275244511002	Outer mast 4350	1	H=4350
	275244511003	Outer mast 4500	1	H=4500
	275244511004	Outer mast 4800	1	H=4800
	275244511005	Outer mast 5000	1	H=5000
	275244511006	Outer mast 5500	1	H=5500
	275244511007	Outer mast 6000	2	H=6000
6	255044010057	Auricular axis $\Phi$ 30x82	2	
7	910100300022	Bolt GB5783-M8x20-8.8	2	
8	910400500006	Spring washer GB93-8	2	
9	910400100006	Flat washer GB97.1-8-200HV	2	
10	275015520001	Cover plate	2	

# Mast (three stage full free)

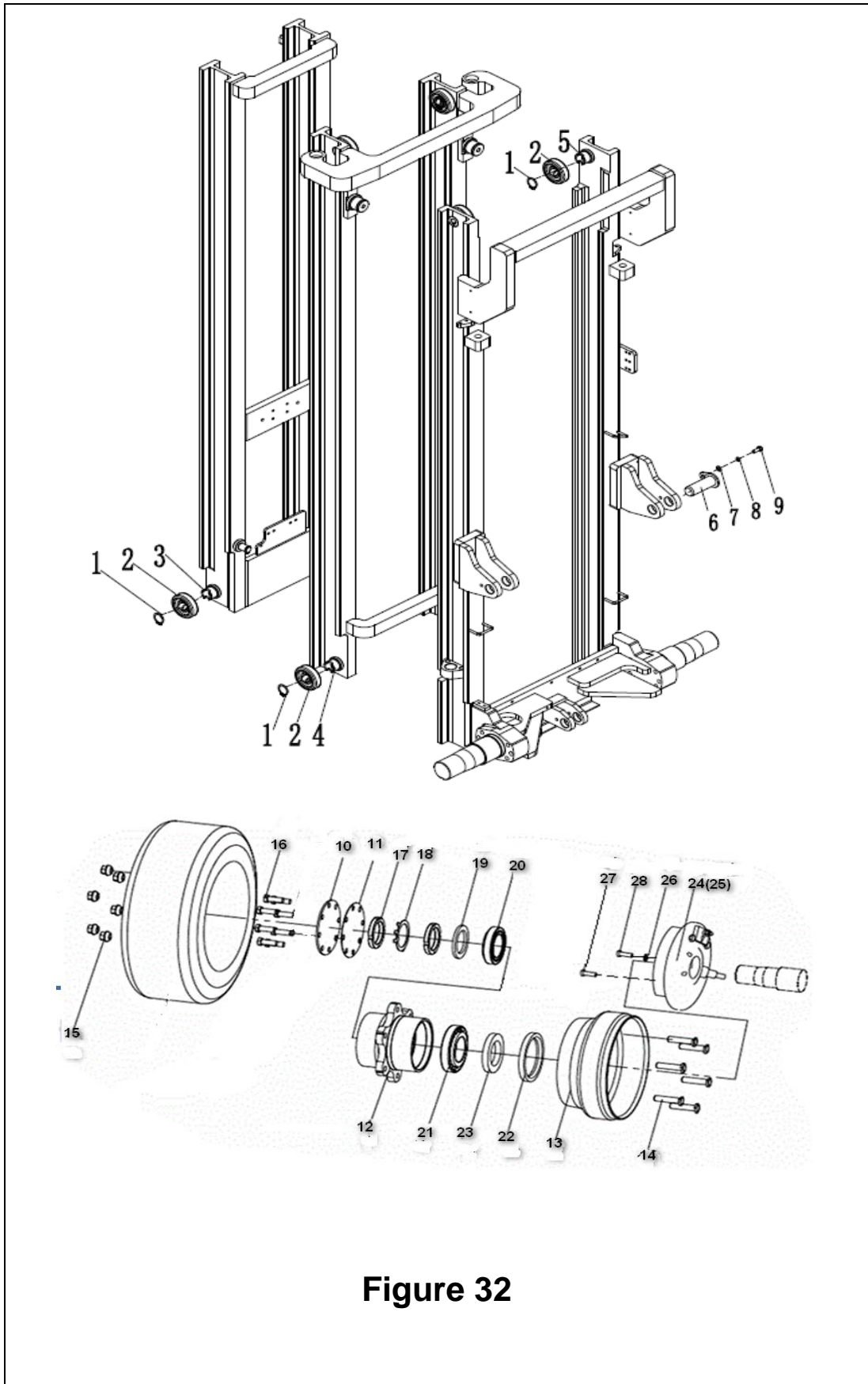


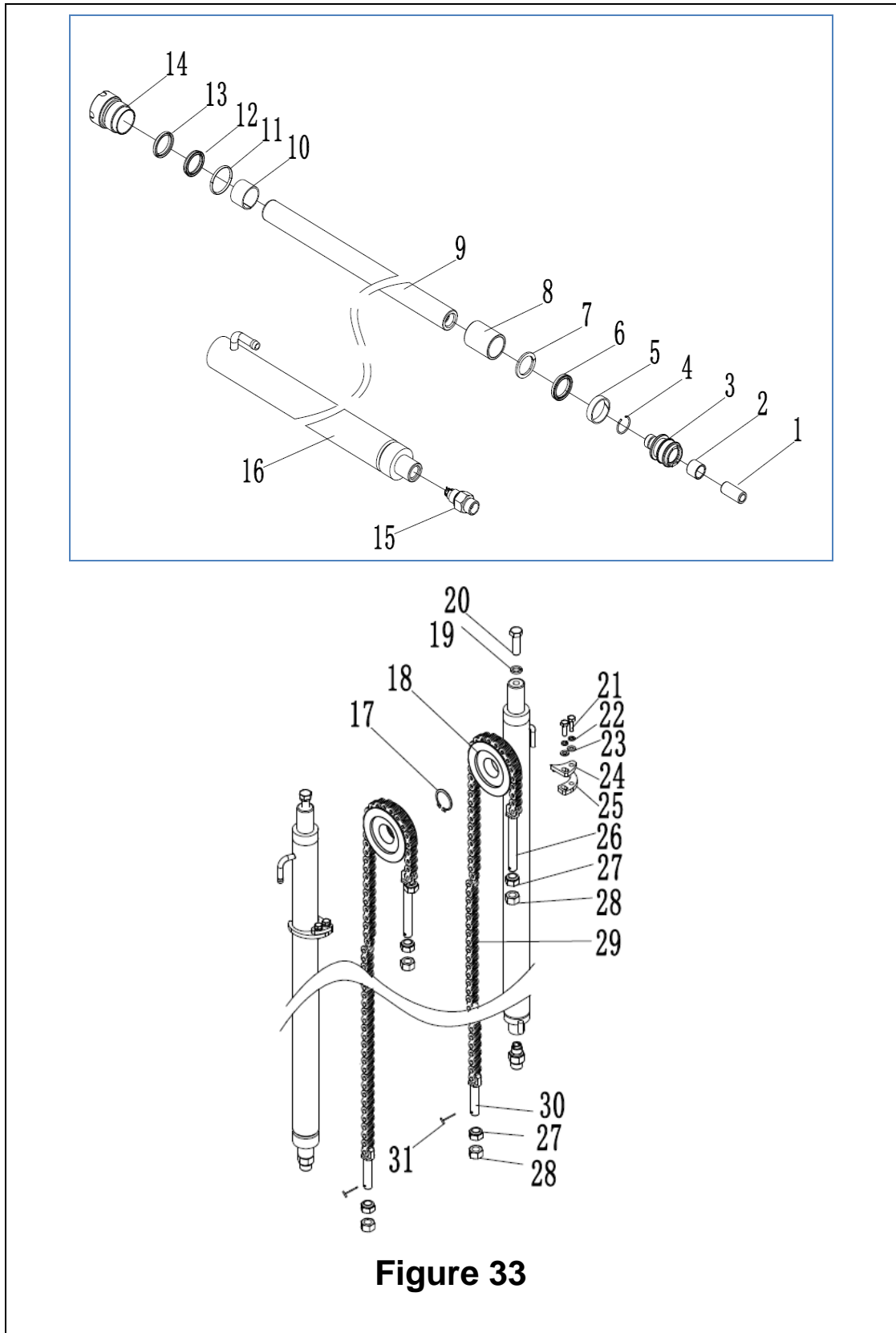
Figure 32

**Figure 32 Mast (three stage full free)**

---

NO	SN	Name	QTY	Remarks
11	275015520002	Paper pad	2	
12	275015520003	Drive axle hub	2	
13	275015520004	Front rim bolt	12	
14	275015520005	Tyre nut	12	
15	275015520006	Brake drum	2	
16	910100400012	Bolt	12	
17	910300700005	Nut	4	
18	910400900013	Stop washer for round nut	2	
19	275015520007	Small washer	2	
20	910700600020	Bearing	2	
21	910700600021	Bearing	2	
22	910800700001	Skeleton oil seal	2	
23	275015520008	Large washer	2	
24	275015510004	Left brake assembly	1	
25	275015510005	Right brake assembly	1	
26	910100400024	Hexagonal head bolt	8	
27	910400500009	Spring washer	12	
28	910100400022	Hexagonal head bolt	4	

## Lifting tank (standard mast)



**Figure 33**

**Figure 33 Lifting tank (standard mast)**

NO	SN	Name	QTY	Remarks
1	▲	Shaft	2	
2	▲	Copper sleeve	2	
3	▲	Piston buffer	2	
4	▲	Steel wire retaining ring 1-3t	2	
5	▲	Supporting ring 36X40X10	2	
6	▲	Hole 30X40X6	2	
7	▲	Block 30X40X3	2	
8	▲	Limit sleeve	2	
9	▲	Piston rod	2	
10	▲	Steel back bearing 32X36X25	2	
11	▲	O ring D45X3.1	2	
12	▲	Axial 32 × 40 × 6	2	
13	▲	DH32 × 40 × 5 × 6.5	2	
14	▲	Cylinder head	2	
15	▲	Riot control valve	2	
16	▲	Cylinder cylinder	2	
A	275244016001	Oil cylinder Φ 32x Φ 40x1245	2	H=2500(Inc. 1-16)
	275244016002	Oil cylinder Φ 32x Φ 40x1345	2	H=2700(Inc. 1-16)
	275244016003	Oil cylinder Φ 32x Φ 40x1495	2	H=3000(Inc. 1-16)
	275244016004	Oil cylinder Φ 32x Φ 40x1745	2	H=3300(Inc. 1-16)
	275244016005	Oil cylinder Φ 32x Φ 40x1845	2	H=3500(Inc. 1-16)
	275244016006	Oil cylinder Φ 32x Φ 40x1395	2	H=3700(Inc. 1-16)
	275244016007	Oil Cylinder Φ 32x Φ 40x1995	2	H=4000 (Inc. 1-16)
	275244016008	Oil Cylinder Φ 32x Φ 40x2145	2	H=4300 (Inc. 1-16)
	275244016009	Oil Cylinder Φ 32x Φ 40x2245	2	H=4500(Inc. 1-16)
	275244016010	Oil cylinder Φ 32x Φ 40x2495	2	H=5000(Inc. 1-16)
B	275298510001	Seal repair package (lifting cylinder)	2	Inc. 5 / 6 / 11 / 12 / 13

Note: ▲spare parts are not provided separately



## Lifting tank (standard mast)

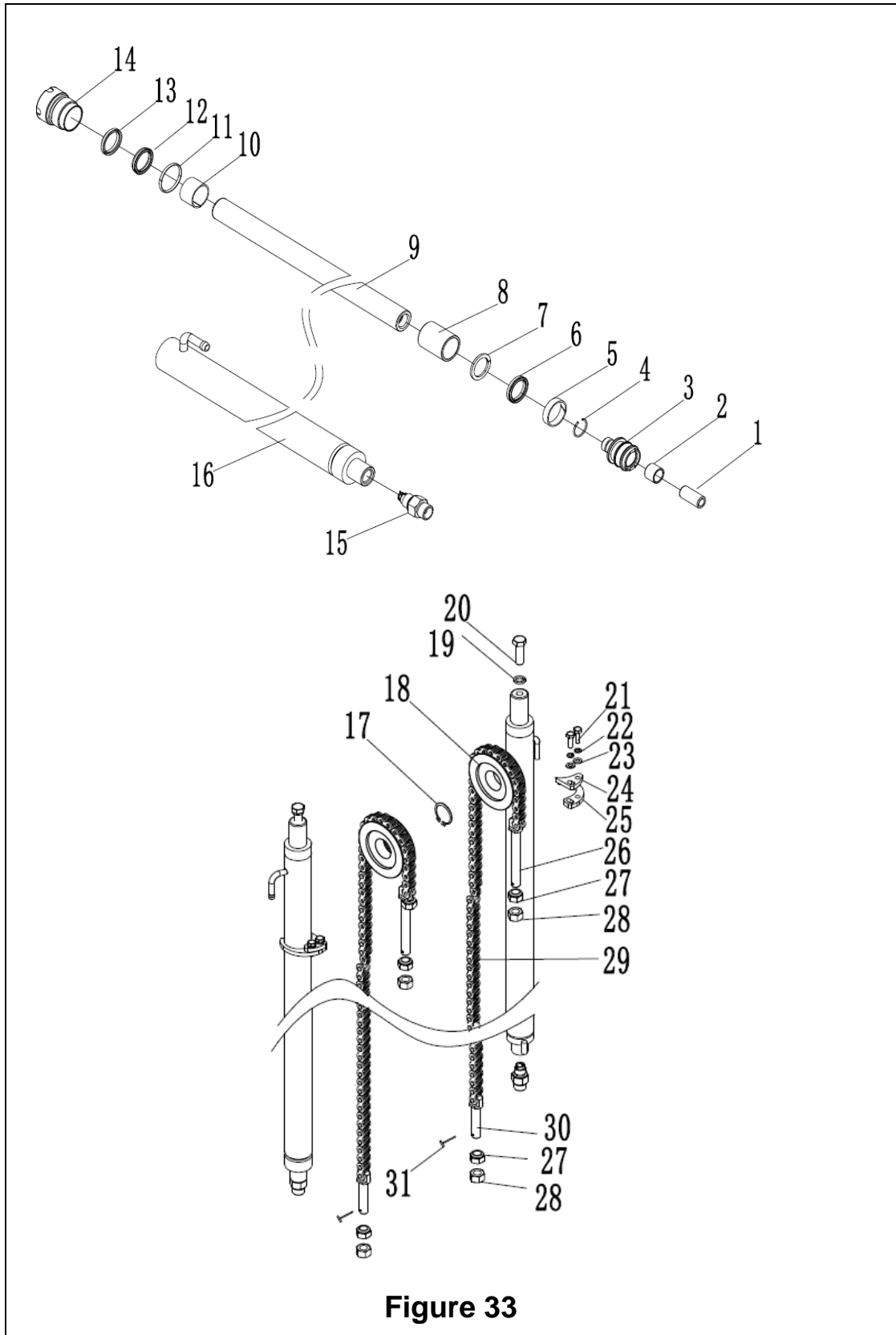


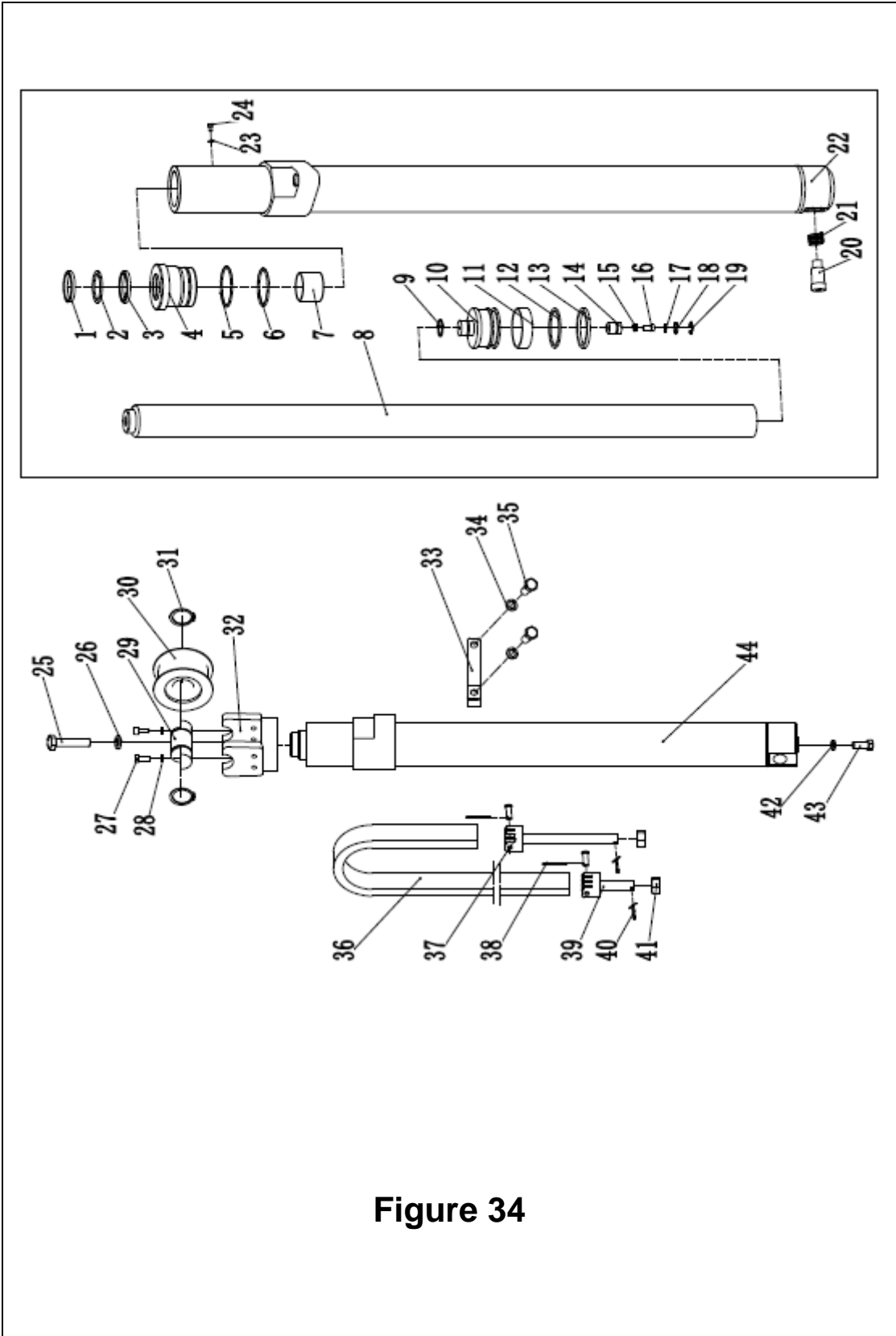
Figure 33

**Figure 33 Lifting cylinder (standard mast)**

NO	SN	Name	QTY	Remarks
17	910401300020	Shaft elastic ring GB894.1-40	2	
18	940200500004	Sprocket bearing 780708K1- $\Phi$ 95x $\Phi$ 40x21	2	
19	910400500009	Spring washer GB93-14	2	
20	910100400023	Bolt GB5786-M14x45-8.8	2	
21	910100300023	Bolt GB5783-M8x25-8.8	4	
22	910400500006	Spring washer GB93-8	4	
23	910400100006	Flat washer GB97.1-8-200HV	4	
24	275244020004	Internal collar	2	
25	275244020003	External collar	2	
C	275244014001	Lifting chain LH1223-89	2	H=2500 (incl. 26-31)
	275244014002	Lifting chain LH1223-93	2	H= 2700 (incl. 26-31)
	275244014003	Lifting chain LH1223-99	2	H=3000 (incl. 26-31)
	275244014004	Lifting chain LH1223-107	2	H=3300 (incl. 26-31)
	275244014005	Lifting chain LH1223-111	2	H= 3500 (incl. 26-31)
	275244014006	Lifting chain LH1223-117	2	H= 3700 (incl. 26-31)
	275244014007	Lifting chain LH1223-135	2	H=4000 (incl. 26-31)
	275244014008	Lifting chain LH1223-141	2	H=4300 (incl. 26-31)
	275244014009	Lifting chain LH1223-145	2	H=4500 (incl. 26-31)
	275244014010	Lifting chain LH1223-155	2	H=5000 (incl. 26-31)
26	▲	Long end joint	2	
27	▲	Nut M16x1.5	4	
28	▲	Spherical nut M16x1.5	4	
29	▲	LH1223 plate chain	2	
30	▲	Short end joint	2	
31	▲	Opener 3.2x30	4	

Note: ▲ spare parts are not provided separately

**Short lifting cylinder (two stage full free)**



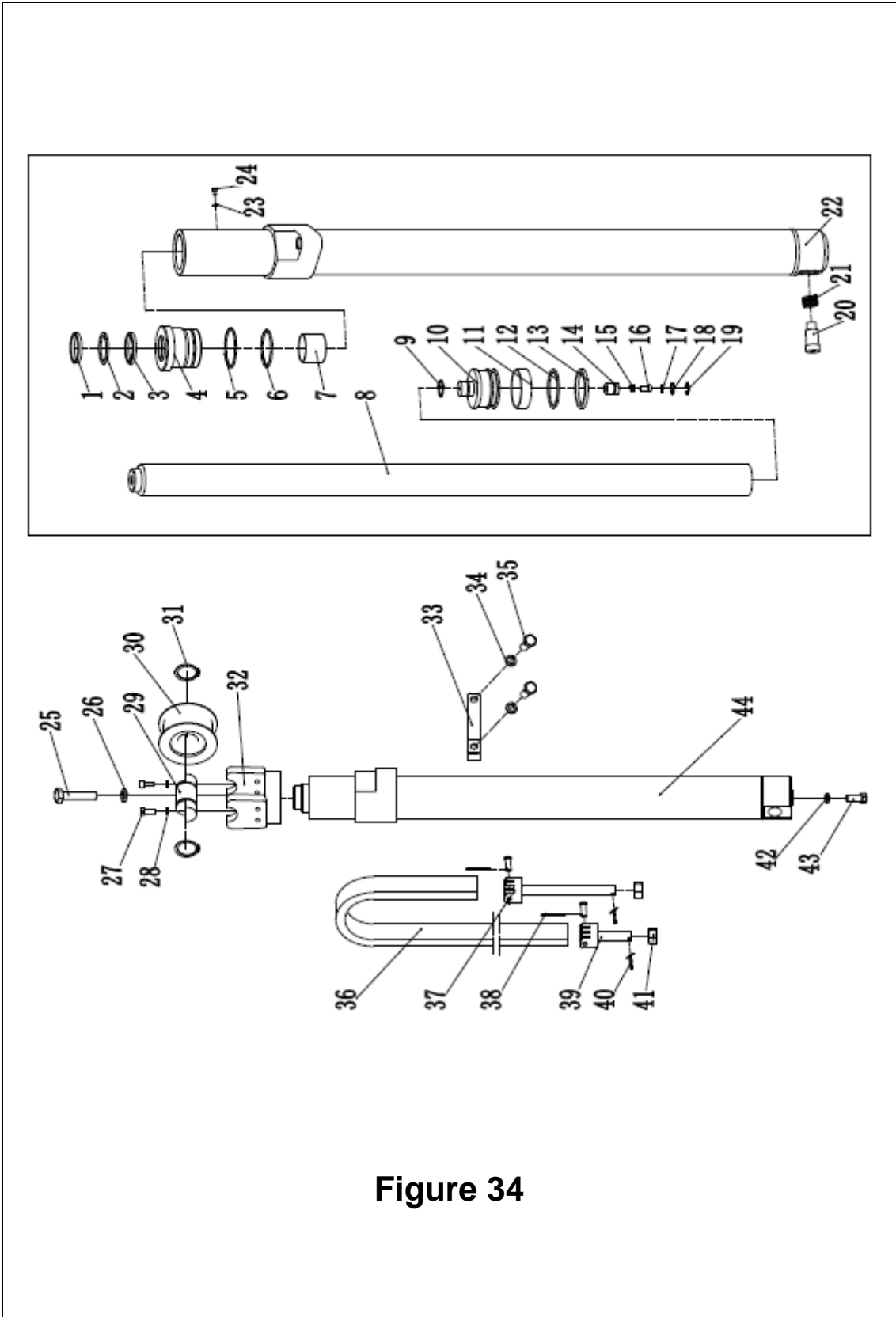
**Figure 34**

**Figure 34 Short lifting cylinder (two stage full free)**

NO	SN	Name	QTY	Remarks
A	254143510060	Lifting chain LH1266-65	2	H=2500(inc.36-41)
	254143510061	Lifting chain LH1266-71	2	H=2700(inc.36-41)
	254143510062	Lifting chain LH1266-79	2	H=3000(inc.36-41)
	254143510063	Lifting chain LH1266-87	2	H=3300(inc.36-41)
	254143510064	Lifting chain LH1266-93	2	H=3500(inc.36-41)
	254143510065	Lifting chain LH1266-97	2	H=3700(inc.36-41)
	254143510066	Lifting chain LH1266-105	2	H=4000(inc.36-41)
	254143510067	Lifting chain LH1266-113	2	H=4300(inc.36-41)
	254143510068	Lifting chain LH1266-119	2	H=4500(inc.36-41)
	254143510069	Lifting chain LH1266-133	2	H=5000(inc.36-41)
1	▲	Dust ring 50 x 58 x 7 / 6.5	1	
2	▲	Block 50 x 60 x 3	1	
3	▲	Shaft sealing ring 50x60x6	1	
4	▲	Guide sleeve	1	
5	▲	Type O sealing ring D75x3.1	1	
6	▲	Type O sealing ring D70x3.1	1	
7	▲	Steel back bearing 5035	1	
8	▲	Piston rod	1	
9	▲	Wire retaining ring	1	
10	▲	Piston assembly	1	
11	▲	Supporting ring 70x20x3	1	
12	▲	Ring 70x60x3	1	
13	▲	Sealing ring 70x60x6	1	
14	▲	Valve sleeve	1	
15	▲	Spring	1	
16	▲	Valve core	1	
17	▲	Type O sealing ring D20x2.4	1	
18	▲	Ring $\Phi$ 12	1	
19	▲	Ring $\Phi$ 22	1	
20	▲	Slide valve	1	
21	▲	Spring	1	
22	▲	Cylinder block	1	
23	▲	Gasket	1	
24	▲	Screw M5x5	1	
25	910100800006	Bolt GB5789-M16x40-8.8	1	

Note: ▲ spare parts are not provided separately

**Short lifting cylinder (two stage full free)**



**Figure 34**

**Figure 34 Short lifting cylinder (two stage full free)**

NO	SN	Name	QTY	Remarks
26	910400500010	Spring washer GB93-16	1	
27	941100400001	Screw M8x20-8.8	2	
28	910400500006	Spring washer GB93-8	4	
29	254143520056	Sprocket shaft	1	
30	940200500009	Sprocket bearing 785208-00- $\Phi$ 95x $\Phi$ 40x $\Phi$ 47	1	
31	910401300020	Shaft elastic ring GB894.1-40	2	
32	254143510050	Sprocket welding	1	
33	254143520072	Hoop	1	
34	910400100006	Flat washer GB97.1-8-200HV	2	
35	910100300022	Bolt GB5783-M8x20-8.8	2	
36	▲	LH1266 plate chain	1	
37	▲	Long end joint	1	
38	▲	Open pin GB91-3.2x40	1	
39	▲	Short end joint	1	
40	▲	Opener 2.5 X16	2	
41	▲	Nut M18X1.5	2	
42	910400500008	Spring washer GB93-12	1	
43	910100400009	Bolt GB5786-M12x1.25x25-8.8	1	
A	254143510100	Oil cylinder (M) $\Phi$ 70x $\Phi$ 55x630	1	H=2500(inc.1-24)
	254143510101	Oil cylinder (M) $\Phi$ 70x $\Phi$ 55x680	1	H=2700(inc.1-24)
	254143510102	Oil cylinder (M) $\Phi$ 70x $\Phi$ 55x755	1	H=3000(inc.1-24)
	254143510103	Oil cylinder (M) $\Phi$ 70x $\Phi$ 55x830	1	H=3300(inc.1-24)
	254143510104	Oil cylinder (M) $\Phi$ 70x $\Phi$ 55x880	1	H=3500(inc.1-24)
	254143510105	Oil cylinder( M) $\Phi$ 70x $\Phi$ 55x930	1	H=3700(inc.1-24)
	254143510106	Oil cylinder (M) $\Phi$ 70x $\Phi$ 55 x 1005	1	H=4000(inc.1-24)
	254143510107	Oil cylinder (M) $\Phi$ 70x $\Phi$ 55 x 1080	1	H=4300(inc.1-24)
	254143510108	Oil cylinder (M) $\Phi$ 70x $\Phi$ 55 x 1130	1	H=4500(inc.1-24)
	254143510109	Oil cylinder (M) $\Phi$ 70x $\Phi$ 55 x 1255	1	H=5000(inc.1-24)
B	254198510004	Seal repair kit (intermediate cylinder)	1	<b>Inc.1.3.5.6.13.18</b>

Note: ▲ spare parts are not provided separately

## Lifting cylinder (two stage full free )

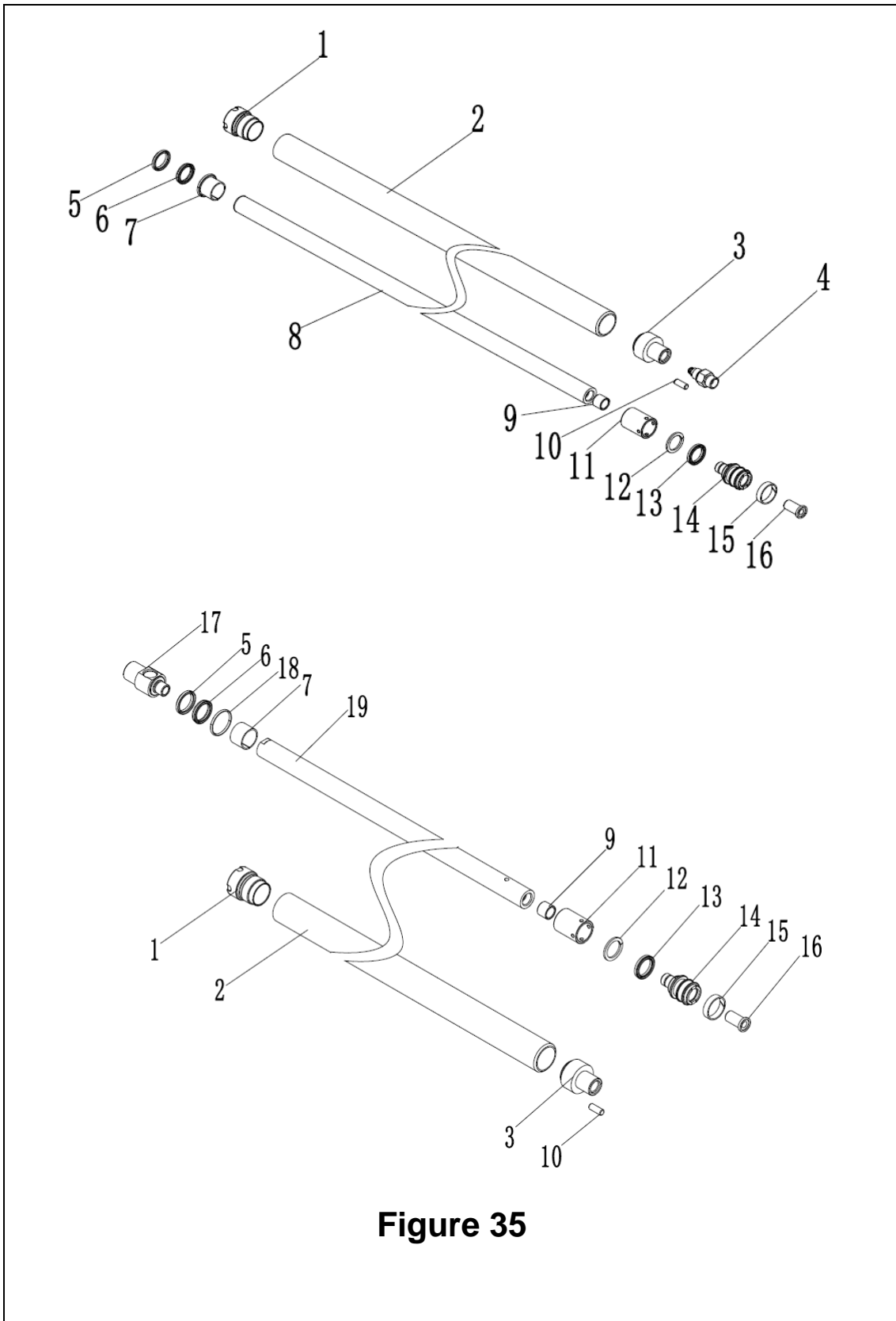


Figure 35

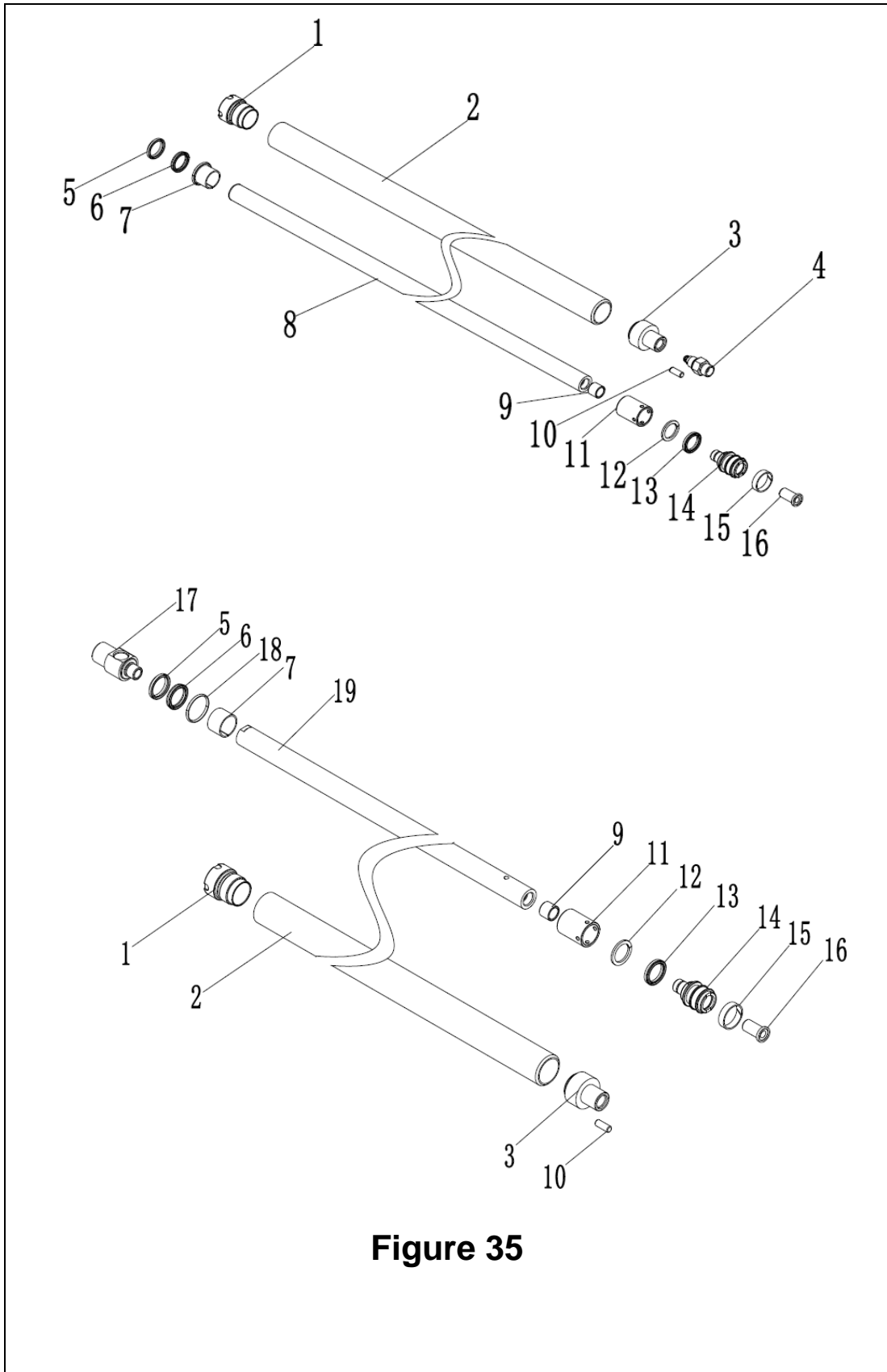
**Figure 35 Lifting cylinder (two stage full free )**

NO	SN	Name	QTY	Remarks
1	▲	cylinder head	2	
2	▲	Cylinder	2	
3	▲	The cylinder bottom	2	
4	▲	Explosion-proof valve	2	
5	▲	DH32x40x5x6.5	2	
6	▲	Axis 32x40x6	2	
7	▲	Steel back bearing 32x36x25	2	
8	▲	Right piston rod	2	
9	▲	The copper sleeve	2	
10	▲	pin	2	
11	▲	Limit set	2	
12	▲	Block 30x40x3	2	
13	▲	Hole 30x40x6	2	
14	▲	Piston buffer	2	
15	▲	Support ring 36x40x10	2	
16	▲	Buffer ring	2	
17	▲	Connecting rod	1	
18	▲	O-ring D45x3.1	1	
19	▲	Left piston rod	1	
A	275243516001	Oil cylinder $\Phi 32 \times \Phi 40 \times 1245$	1	H=2500 (inc.1-16)
	275243516002	Oil cylinder $\Phi 32 \times \Phi 40 \times 1345$	1	H=2700 (inc.1-16)
	275243516003	Oil cylinder $\Phi 32 \times \Phi 40 \times 1495$	1	H=3000 (inc.1-16)
	275243516004	Oil cylinder $\Phi 32 \times \Phi 40 \times 1745$	1	H=3300 (inc.1-16)
	275243516005	Oil cylinder $\Phi 32 \times \Phi 40 \times 1845$	1	H=3500 (inc.1-16)
	275243516006	Oil cylinder $\Phi 32 \times \Phi 40 \times 1395$	1	H=3700 (inc.1-16)
	275243516007	Oil cylinder $\Phi 32 \times \Phi 40 \times 1995$	1	H=4000 (inc.1-16)
	275243516008	Oil cylinder $\Phi 32 \times \Phi 40 \times 2145$	1	H=4300 (inc.1-16)
	275243516009	Oil cylinder $\Phi 32 \times \Phi 40 \times 2245$	1	H=4500 (inc.1-16)
	275243516010	Oil cylinder $\Phi 32 \times \Phi 40 \times 2495$	1	H=5000 (inc.1-16)

Note: ▲ spare parts are not provided separately



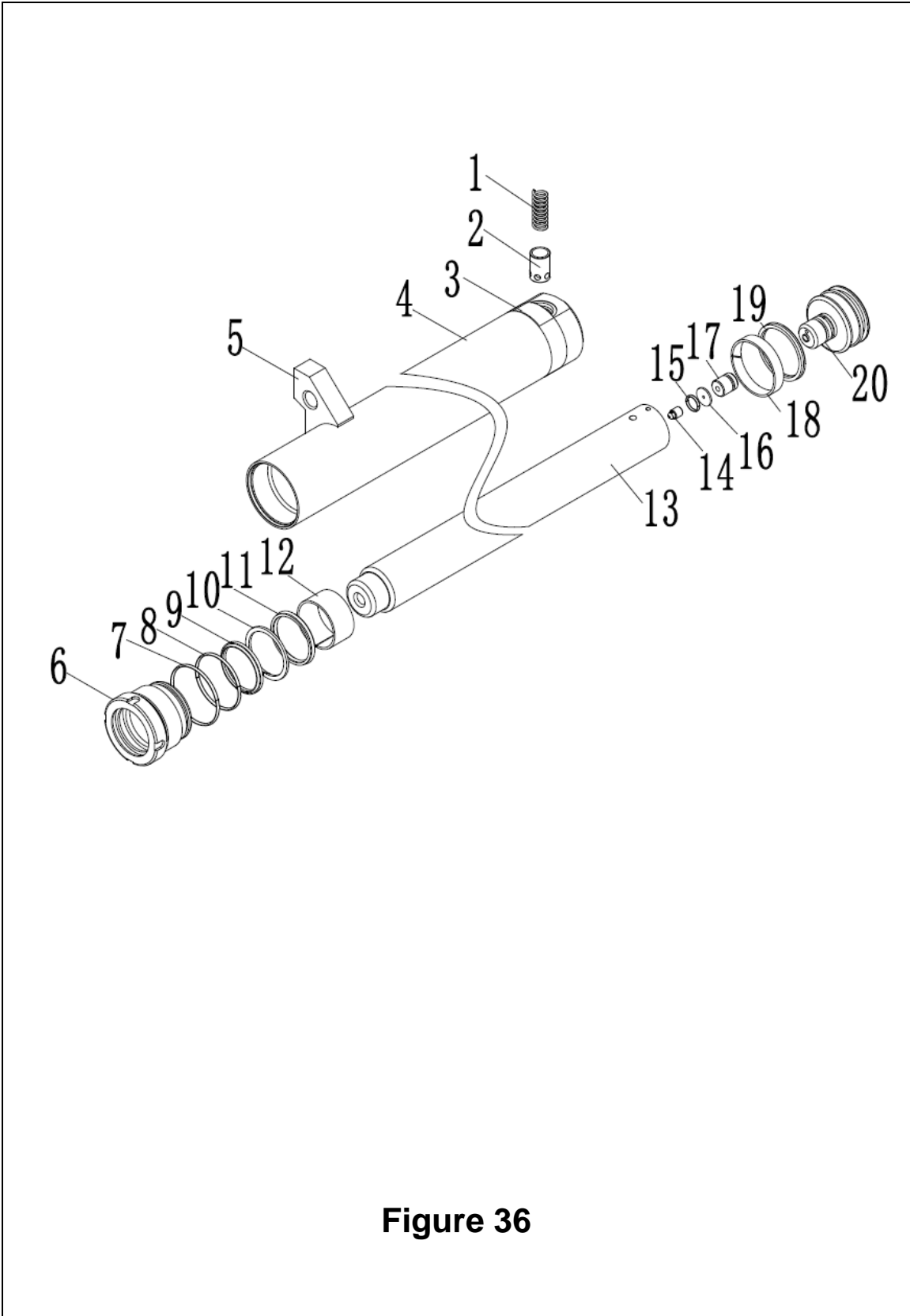
# Lifting cylinder (two stage full free )



**Figure 35 Lifting cylinder (two stage full free )**

NO	SN	Name	QTY	Remarks
B	275243516051	Oil cylinder $\Phi 32 \times \Phi 40 \times 1245$	1	H=2500 (inc.1-19)
	275243516052	Oil cylinder $\Phi 32 \times \Phi 40 \times 1345$	1	H=2700 (inc.1-19)
	275243516053	Oil cylinder $\Phi 32 \times \Phi 40 \times 1495$	1	H=3000 (inc.1-19)
	275243516054	Oil cylinder $\Phi 32 \times \Phi 40 \times 1745$	1	H=3300 (inc.1-19)
	275243516055	Oil cylinder $\Phi 32 \times \Phi 40 \times 1845$	1	H=3500 (inc.1-19)
	275243516056	Oil cylinder $\Phi 32 \times \Phi 40 \times 1395$	1	H=3700 (inc.1-19)
	275243516057	Oil cylinder $\Phi 32 \times \Phi 40 \times 1995$	1	H=4000 (inc.1-19)
	275243516058	Oil cylinder $\Phi 32 \times \Phi 40 \times 2145$	1	H=4300 (inc.1-19)
	275243516059	Oil cylinder $\Phi 32 \times \Phi 40 \times 2245$	1	H=4500 (inc.1-19)
	275243516060	Oil cylinder $\Phi 32 \times \Phi 40 \times 2495$	1	H=5000 (inc.1-19)
C	275298510001	Seal repair kit (lifting cylinder)	1	Inc.5/6/11/12/13

**Short lifting cylinder (three stage full free)**



**Figure 36**

**Figure 36 Short lifting cylinder (three stage full free)**

NO	SN	Name	QTY	Remarks
1	▲	Spring 3t3jq	1	
2	▲	guiding valve 3t3j	1	
3	▲	GD cylinder bottom	1	
4	▲	GT cylinder	1	
5	▲	Support	1	
6	▲	DXT guide sleeve	1	
7	▲	Type O sealing ring D75X3.1	1	
8	▲	Type O sealing ring D70x3.1	1	
9	▲	Dust ring DH55x63x5x6.5	1	
10	▲	DP improved baffle	1	
11	▲	Shaft block 55X65X6	1	
12	▲	GBZC steel back bearing 55X60X30	1	
13	▲	HSG piston rod	1	
14	▲	Valve core	1	
15	▲	Type O sealing ring D15.8x2.4	1	
16	▲	Improved baffle	1	
17	▲	Improved valve sleeve	1	
18	▲	Supporting ring 65x70x13	1	
19	▲	Hole 60x70x6	1	
20	▲	Piston	1	
A	275244518001	Oil cylinder(M) $\Phi$ 70x $\Phi$ 55x905	1	H=4000(inc.1-20)
	275244518002	Oil cylinder(M) $\Phi$ 70x $\Phi$ 55x967	1	H=4350(inc.1-20)
	275244518003	Oil cylinder(M) $\Phi$ 70x $\Phi$ 55x992	1	H=4500(inc.1-20)
	275244518004	Oil cylinder((M) $\Phi$ 70x $\Phi$ 55x1042	1	H=4800(inc.1-20)
	275244518005	Oil cylinder(M) $\Phi$ 70x $\Phi$ 55x1092	1	H=5000(inc.1-20)
	275244518006	Oil cylinder(M) $\Phi$ 70x $\Phi$ 55x1167	1	H=5500(inc.1-20)
	275244518007	Oil cylinder(M) $\Phi$ 70x $\Phi$ 55x1267	1	H=6000(inc.1-20)
B	254198510004	Seal repair kit (intermediate cylinder)	1	

Note: ▲ spare parts are not provided separately

## Short lifting cylinder (three stage full free)

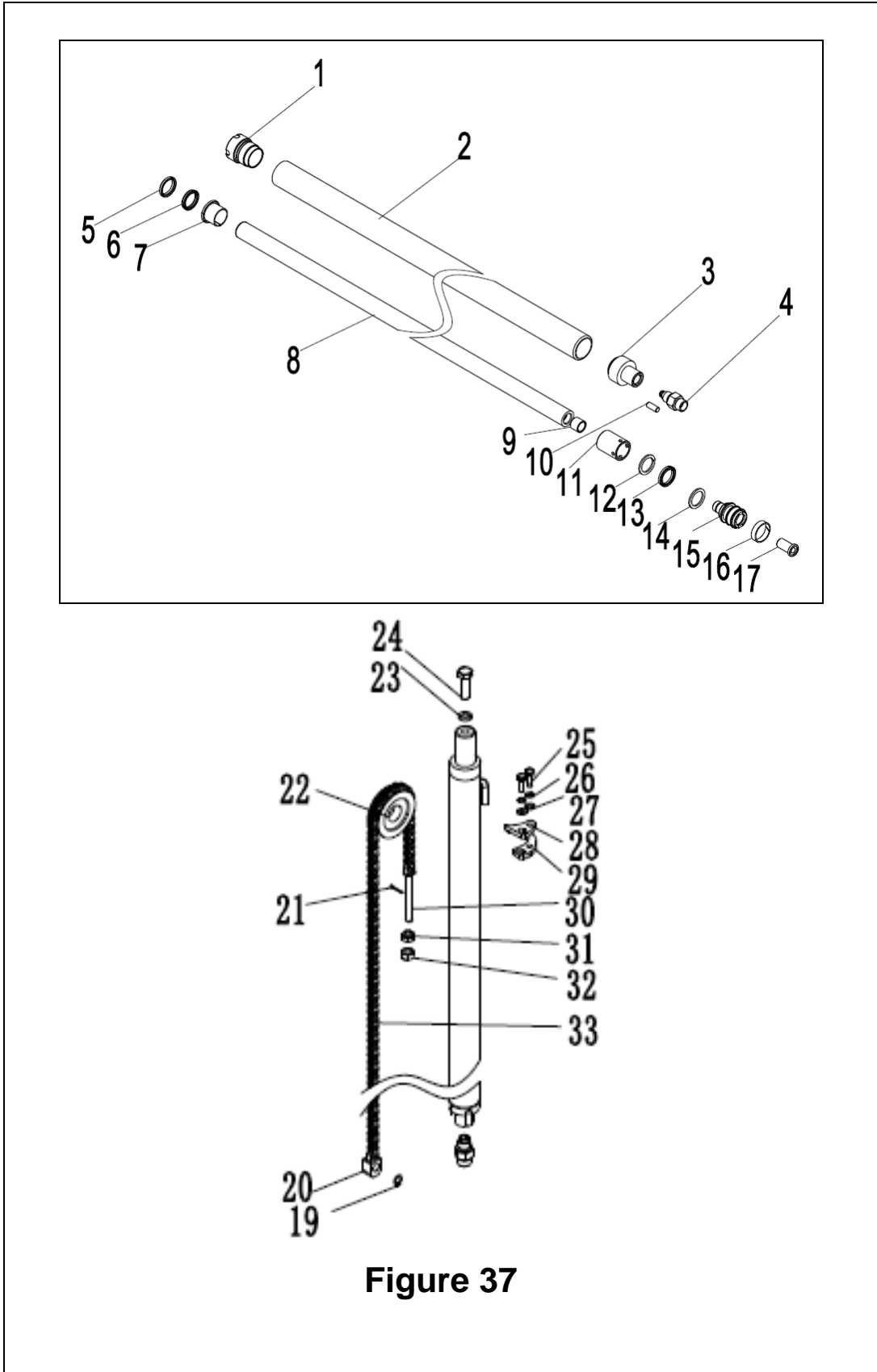


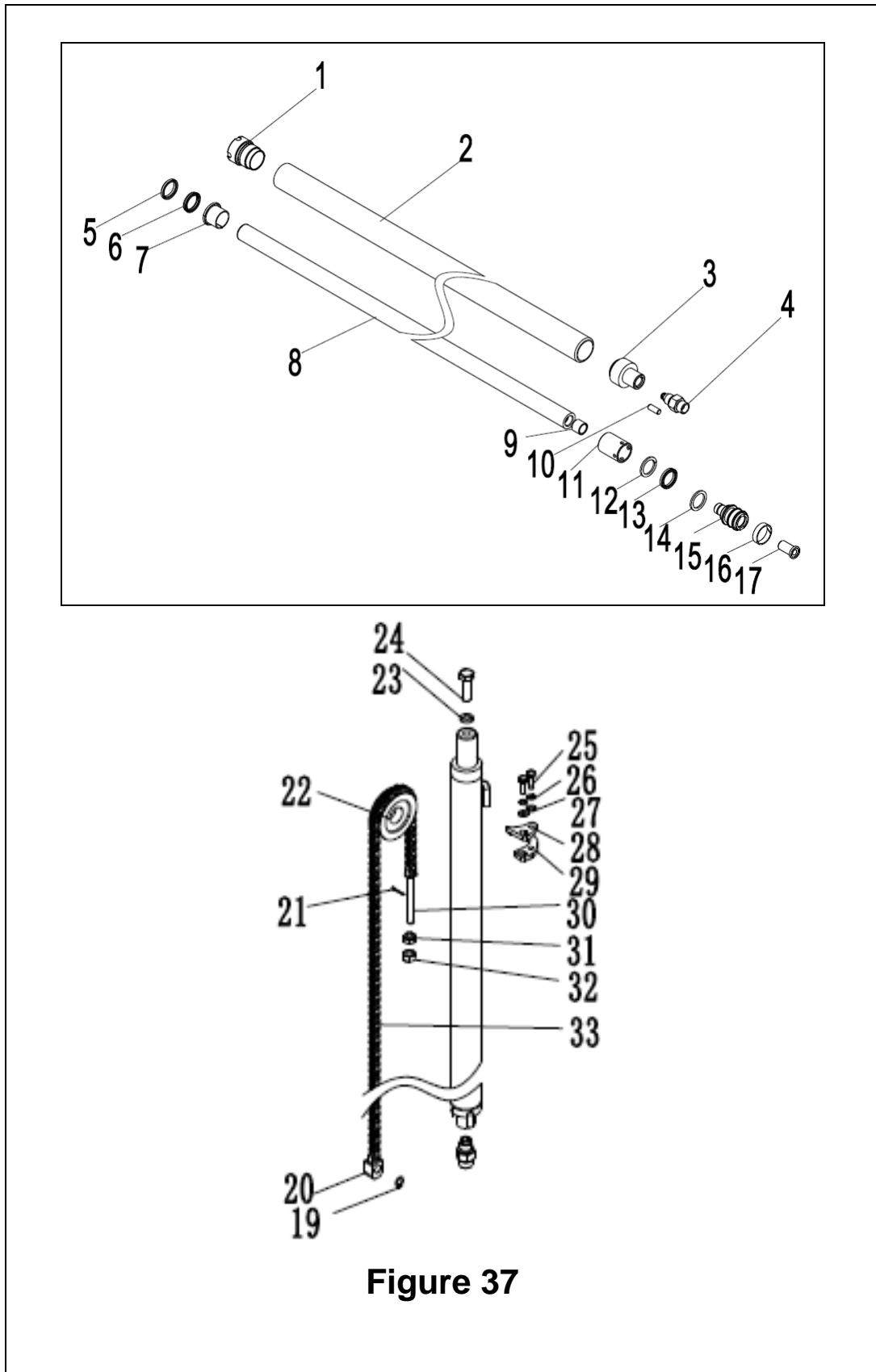
Figure 37

**Figure 37 Short lifting cylinder (three stage full free)**

NO	SN	Name	QTY	Remarks
1	▲	Cylinder head	1	
2	▲	Cylinder	1	
3	▲	The cylinder bottom	1	
4	▲	Explosion-proof valve	1	
5	▲	DH32x40x5x6.5	1	
6	▲	Axis 32x40x6	1	
7	▲	Steel back bearing 32x36x25	1	
8	▲	Piston	1	
9	▲	The copper sleeve	1	
10	▲	Pin	1	
11	▲	Limit set	1	
12	▲	Block 30x40x3	1	
13	▲	Hole 30x40x6	1	
14	▲	Wire retaining ring 1-3T	1	
15	▲	Piston buffer	1	
16	▲	Support ring 36x40x10	1	
17	▲	Buffer ring	1	
A	275244516001	Oil cylinder $\Phi 32 \times \Phi 40 \times 1303$	1	H=4000(inc.1-20)
	275244516002	Oil cylinder $\Phi 32 \times \Phi 40 \times 1415$	1	H=4350(inc.1-20)
	275244516003	Oil cylinder $\Phi 32 \times \Phi 40 \times 1465$	1	H=4500(inc.1-20)
	275244516004	Oil cylinder $\Phi 32 \times \Phi 40 \times 1565$	1	H=4800(inc.1-20)
	275244516005	Oil cylinder $\Phi 32 \times \Phi 40 \times 1615$	1	H=5000(inc.1-20)
	275244516006	Oil cylinder $\Phi 32 \times \Phi 40 \times 1790$	1	H=5500(inc.1-20)
	275244516007	Oil cylinder $\Phi 32 \times \Phi 40 \times 1940$	1	H=6000(inc.1-20)
19	910401300011	External Circlips	2	
20	▲	Joint	2	
21	▲	Pin 2.5X16	2	
22	940200500004	Sprocket bearing 780708K1-95X 40x21	2	
23	910400500010	Spring washer GB93-16	2	

Note: ▲spare parts are not provided separately

## Lifting cylinder (three stage full free)



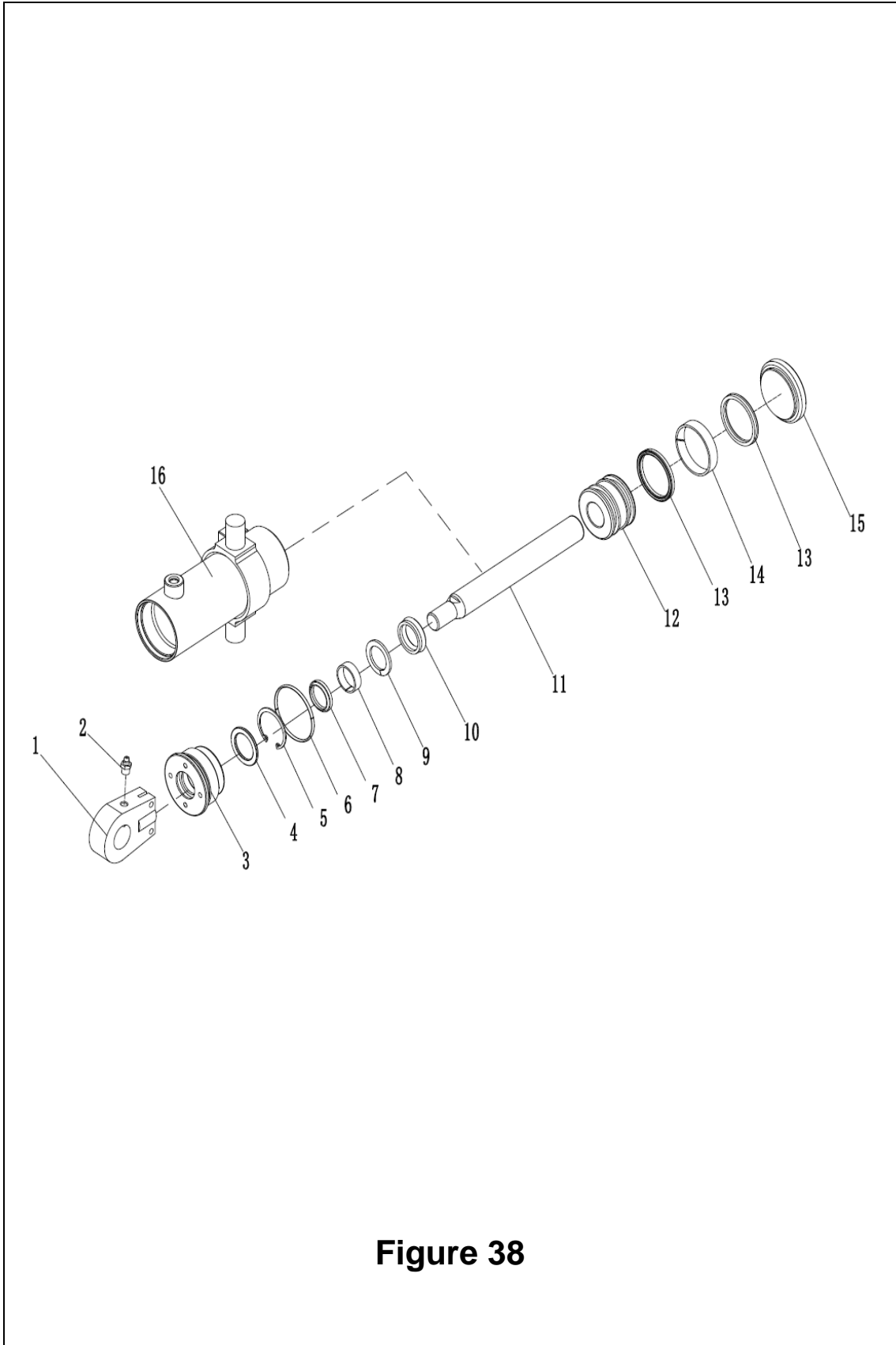
**Figure 37 Lifting cylinder (three stage full free)**

NO	SN	Name	QTY	Remarks
24	910100300063	Bolt GB5783-M14x35-8.8	2	
25	910100300038	Bolt GB5783-M10x35-8.8	4	
26	910400500007	Spring washer GB93-10	4	
27	910400100007	Flat washer GB97.1-10-200HV	4	
28	275244020004	Internal collar	4	
29	275244020003	External collar	4	
30	▲	Long end joint	2	
31	▲	Nut M16x1.5	2	
32	▲	Spherical nut M16x1.5	2	
33	▲	LH1223 plate chain	2	
B	275244514001	Lifting chain LH1223-89	1	H=4000inc.20/21/30-33
	251044010071	Lifting chain LH1223-97	1	H=4350inc.20/21/30-33
	275244514002	Lifting chain LH1223-99	1	H=4500inc.20/21/30-33
	254144510071	Lifting chain LH1223-105	1	H=4800inc.20/21/30-33
	275244514003	Lifting chain LH1223-109	1	H=5000inc.20/21/30-33
	275244514004	Lifting chain LH1223-117	1	H=5500inc.20/21/30-33
	275244514005	Lifting chain LH1223-123	1	H=6000inc.20/21/30-33
C	275298510001	Seal repair package (lifting cylinder)	1	

Note: ▲spare parts are not provided separately



# Tilted cylinder



**Figure 38**

**Figure 38****Tilted cylinder**

NO	SN	Name	QTY	Remarks
A	275220511001	Inclined cylinder assembly	1	Inc.1-20
B	275298510006	Seal repair package (tilted cylinder)	1	Inc.6/7/10/13/14
1	▲	Earrings 2	1	
2	▲	Straight-through injection nozzle	1	
3	▲	Guide sleeve	1	
4	▲	Retaining ring	1	
5	▲	Ring 47	1	
6	▲	O ring D70X3.1	1	
7	▲	DH30 × 38 × 5 × 6.5	1	
8	▲	Steel back bearing 30X34X15	1	
9	▲	Block 30x43X3	1	
10	▲	Axial 30 × 40 × 6	1	
11	▲	Piston rod	1	
12	▲	Piston	1	
13	▲	Hole 53 × 63 × 6	2	
14	▲	Supporting ring 58X63X13	1	
15	▲	Cylinder bottom	1	
16	▲	Cylinder body	1	

Note: ▲spare parts are not provided separately

# Electrical system

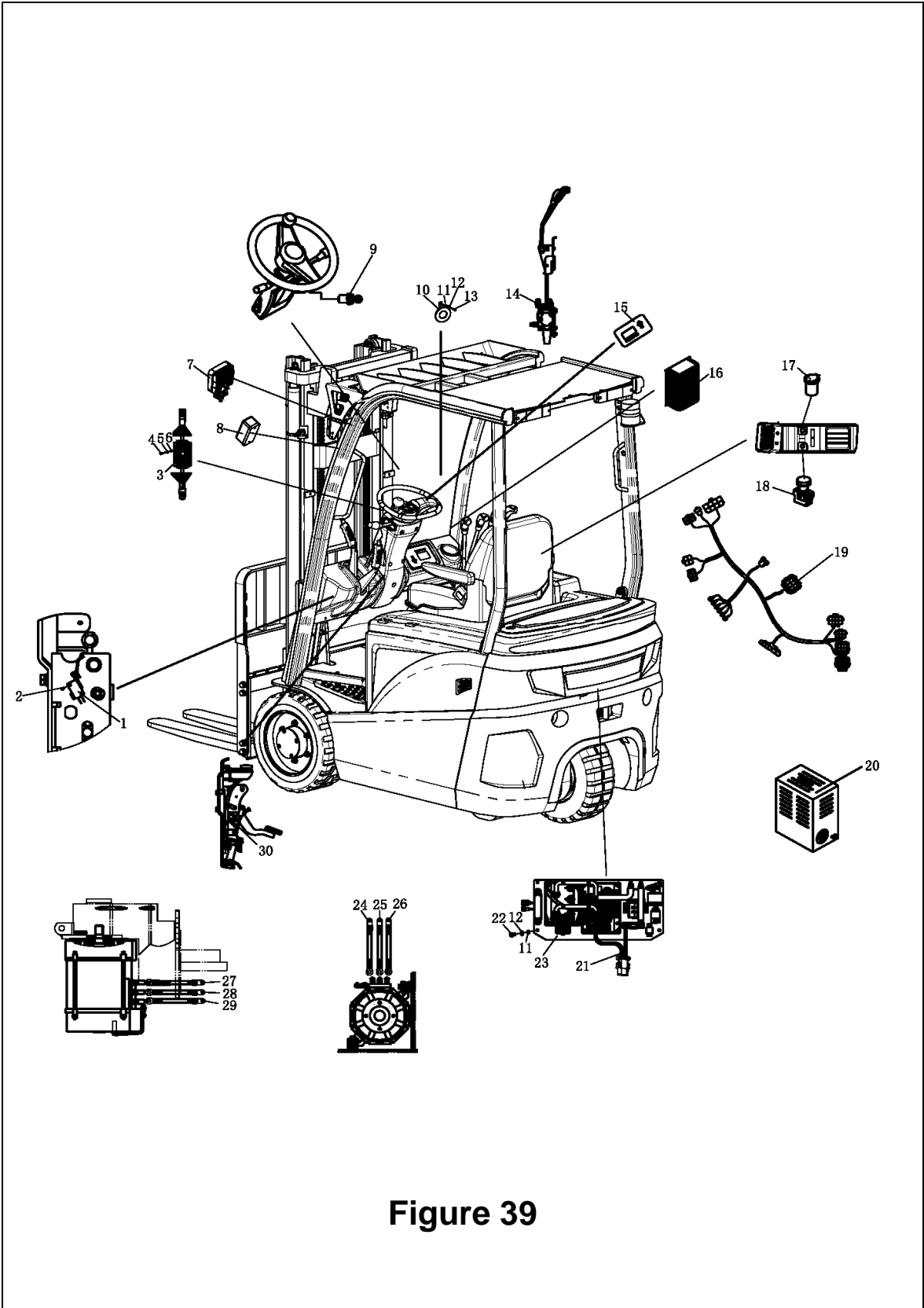


Figure 39

**Figure 39** **Electrical system**

NO	SN	Name	QTY	Remarks
1	920200300009	Microswitch RV-166-1C25	1	
2	910400100003	Flat washer GB97.1-4-200HV	2	
3	920200800013	Combined switch JK361B-1003	1	
4	910200500038	Screw GB818-M5x12-4.8	4	
5	910400500004	Spring washer GB93-5	8	
6	910400100004	Flat washer GB97.1-5-200HV	8	
7	922000100001	Lamp PDL-LXZM-1	2	
8	922000100002	Lamp PDL-LXXD-1	2	
9	920200200002	Key switch KEYA	1	
10	920500100001	Horn 125-DC24V	1	
11	910400100005	Flat washer GB97.1-6-200HV	1	
12	910400500005	Spring washer GB93-6	1	
13	910200500051	Screw GB818-M6x12-4.8	1	
14	920200300004	Microswitch RZ-15GQ22-B3	3	
15	921100100011	Instrument 3501-12-80V	1	
	921100100032	Instrument IDD	1	Inmotion
16	921900100001	Converter DC48V to 24V	1	
17	921900100004	Converter DC24V to 5V	4	
18	920200100002	Emergency stop switch CE4T-10R-01	1	
19	275233010001	Body harness 1232E full AC)	1	
	275233010011	Body harness ACS48V full AC)	1	Inmotion
20	921000200255	Charger SN48V55A (submiddle phase)	1	50\ 400Ah battery
	921000200256	Charger SN48V55A (single phase Asia)	1	350\ 400Ah battery
	921000200067	Charger SN48V55A	1	350\ 400Ah battery
	921000200068	Charger SN48V55A	1	350\ 400Ah battery
	921000200069	Charger SN48V55A (Europe)	1	350\ 400Ah battery

# Electrical system

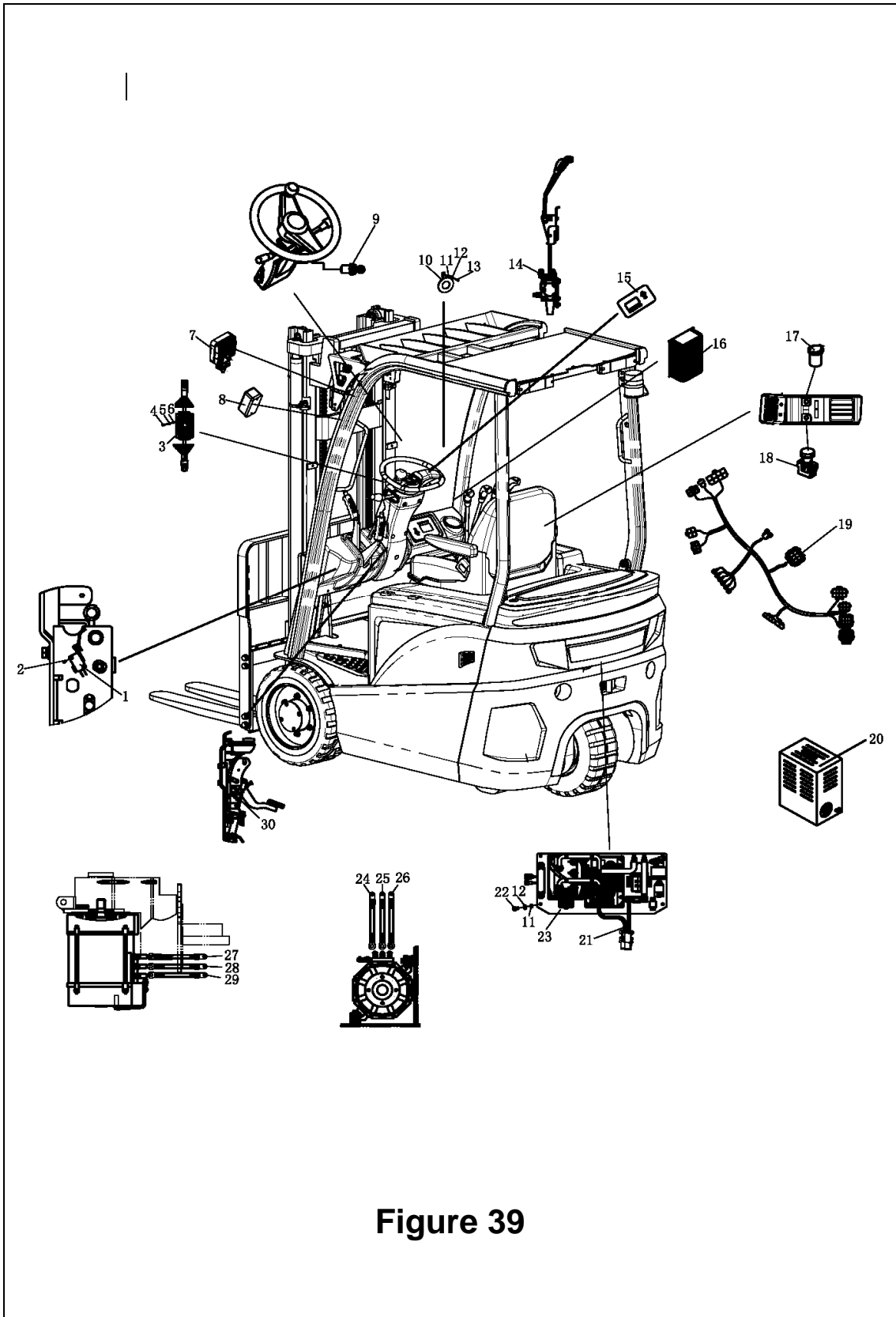
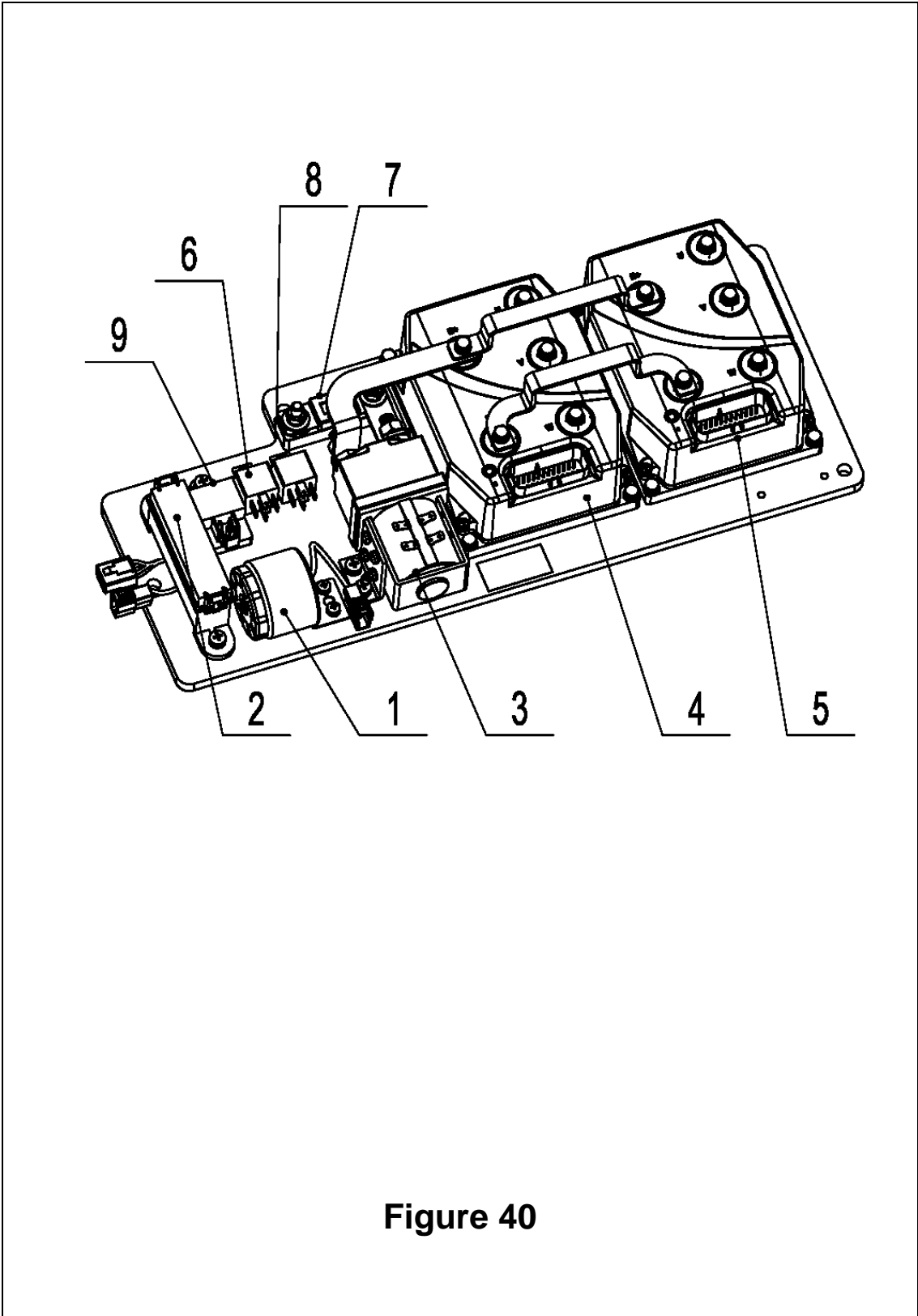


Figure 39

**Figure 39 Electrical system**

NO	SN	Name	QTY	Remarks
20	921000200071	Charger SN48V55A (Australia)	1	350\ 400Ah battery
	921000200072	Charger SN48V55A	1	350\ 400Ah battery
21	275233010008	Total power cord bundle	1	
22	910400500005	Spring washer GB93-6	4	
23	275233010009	Electronic control assembly (1232E full AC)	1	Curtis
	275233010010	ACS48V full AC)	1	Inmotion
24	275233010005	Cable-U2-35-6-8-2400	1	
25	275233010006	Cable-V2-35-6-8-2400	1	
26	275233010007	Cable -W2-35-6-8-2400	1	
27	275233010002	Cable-U1-35-6-8-600	1	
28	275233010003	Cable-V1-35-6-8-540	1	
29	275233010004	Cable -W1-35-6-8-450	1	
30	920201000002	Foot switch JK231	1	
31	922000100003	Lamp PDL-LXHW-2	2	
32	922000100004	Lamp PDL-LXJD-01Y	1	
33	255033510001	Rear handle switch	1	
34	921700100005	Accelerator FZ3-532-133	1	Curtis
	921700100015	Accelerator JCTH2-5L	1	Inmotion

**Electronic control element (Cutris)**



**Figure 40**

**Figure 40 Electronic control element (Cutris)**

---

NO	SN	Name	QTY	Remarks
1	920500100002	Horn buzzer DJB-24B	1	
2	920100400008	Fuse box BX2081X	1	
3	920700100005	Contactor DC48C-SW200-262	1	
4	921400100055	Controller 1232E-5221	1	
5	921400100043	Controller 1232SE-5321	1	
6	920800100002	Relay DC24V-HFV4	1	
7	920100100014	Fuse 500A (ceramic)	1	
8	920100400002	Fuse seat SYY	1	
9	922000100005	Lamp SG252-24V	1	



## Electronic control element (Inmotion)

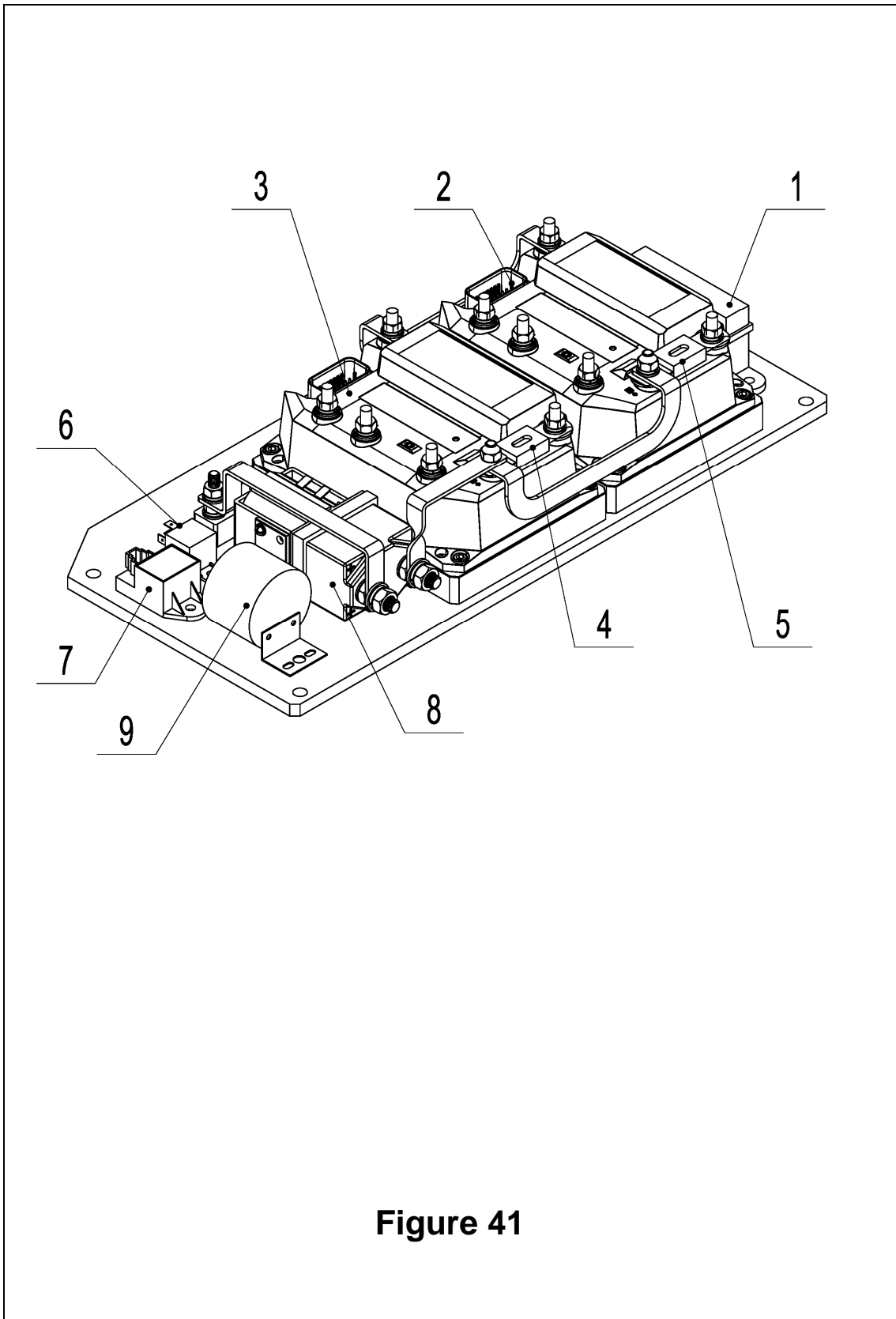


Figure 41

**Figure 41 Electronic control element (Inmotion)**

NO	SN	Name	QTY	Remarks
1	920100400008	Fuse box BX2081X	1	
2	921400100070	Controller ACS48S-350C-23P	1	
3	921400100069	Controller ACS48S-350C-35P	1	
4	920100100013	Fuse 350A (plastic)	1	
5	920800100002	Relay DC24V-HFV4	1	
6	922000100005	Lamp SG252-24V	1	
7	920700100005	Contactore DC48C-SW200-262	1	
8	920500100002	Trumpet buzzer DJB-24B	1	

## Power connector assembly

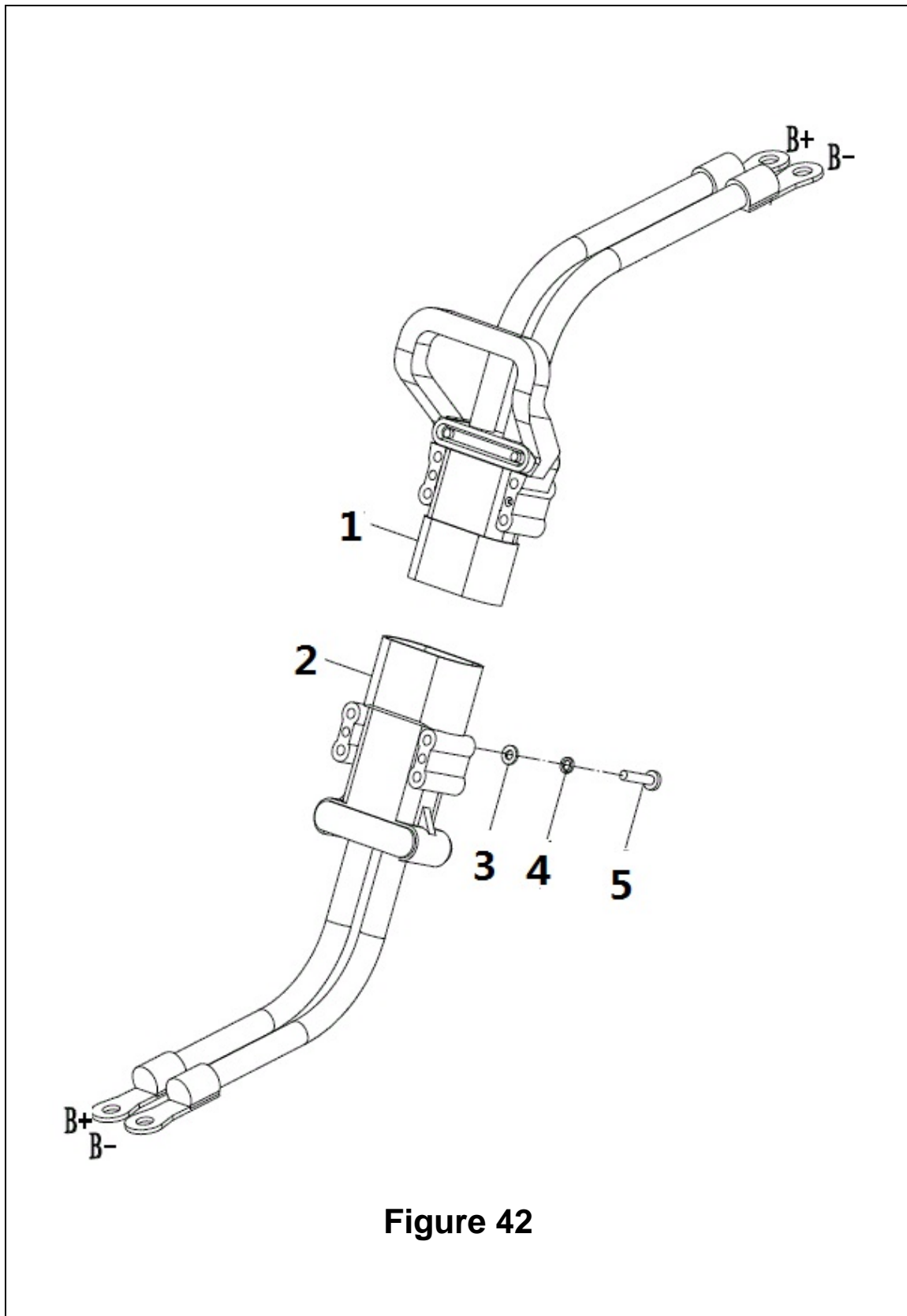


Figure 42

## **Figure 42      Power connector assembly**

---

<b>NO</b>	<b>SN</b>	<b>Name</b>	<b>QTY</b>	<b>Remarks</b>
1	255098513301	Battery connection cable	1	
2	255033010008	Power cable	1	
3	910400100005	Flat washer GB97.1-6-200HV	4	
4	910400500005	Spring washer GB93-6	4	
5	910200200046	Battery connection cable	4	

# Sign installation

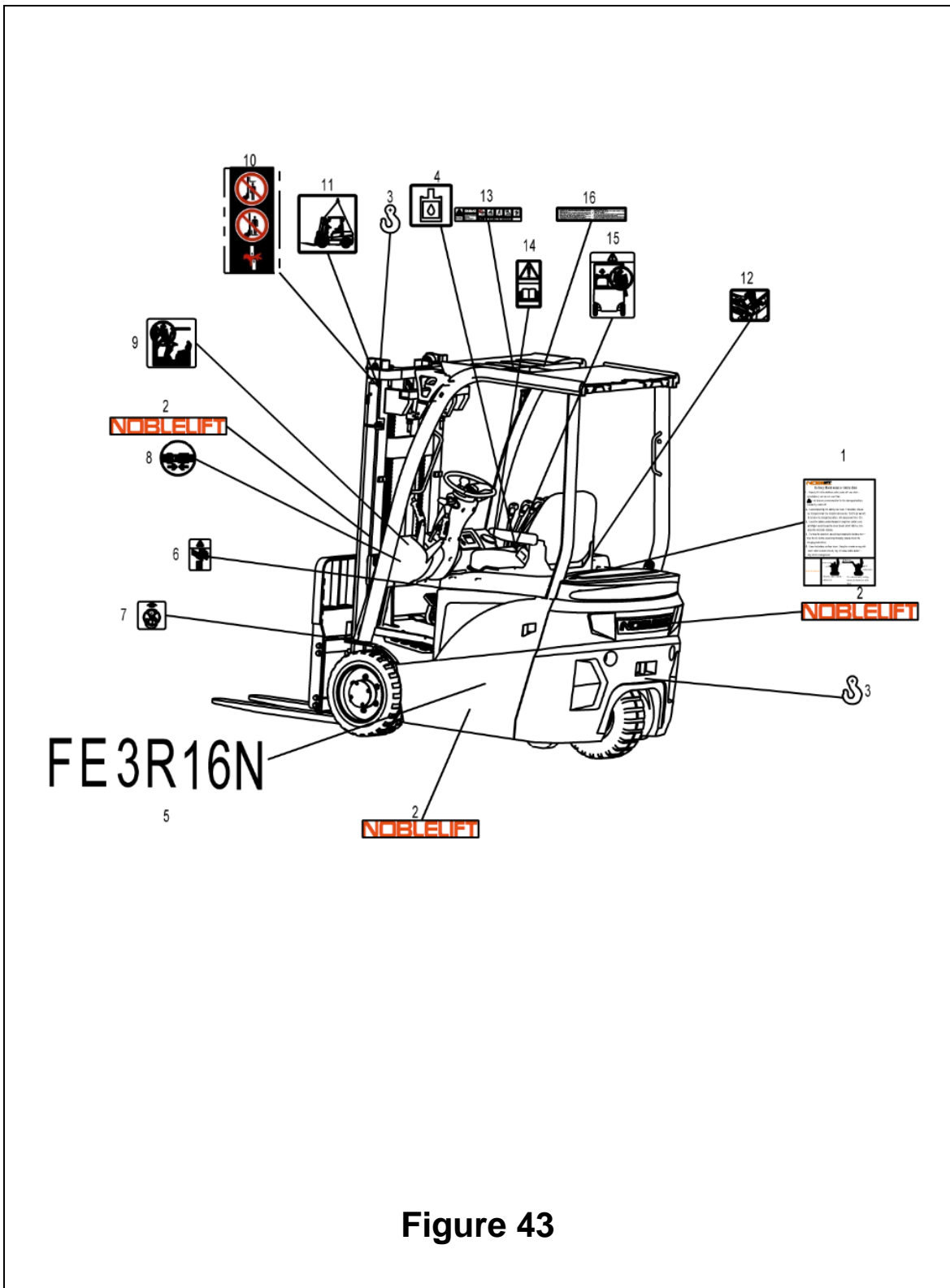


Figure 43

## Figure 43 Sign installation

NO	SN	Name	QTY	Remarks
A	275247001002	Labeling Assembly	1	Inc.1-16
	275147001002	Labeling Assembly	1	FE3R13N
1	251047020019	Battery maintenance tips	1	▲
2	255047020022	NOBLELIFT 495x70)	5	▲
3	255047020011	Hoisting label	3	▲
4	255047020004	Hydraulic oil label	1	▲
5	275247020001	Product model identification	2	▲
6	255047020014	Squeezing sticker	2	▲
7	255047020008	No lifting mark	2	▲
8	255047020012	Seat belt sticker	1	▲
9	255047020009	No climbing	1	▲
10	532647020000	Safety label	2	▲
11	255047020019	Whole car hoisting	2	▲
12	255047020006	Battery case cover open label	1	▲
13	255047020020	Anti-rollover safety marking 1	1	▲
14	255047020010	Prompt sticker	1	▲
15	255047020013	Forbidden seat holder	1	▲
16	255047020021	Anti-rollover safety marking 2	1	▲

# Data nameplate

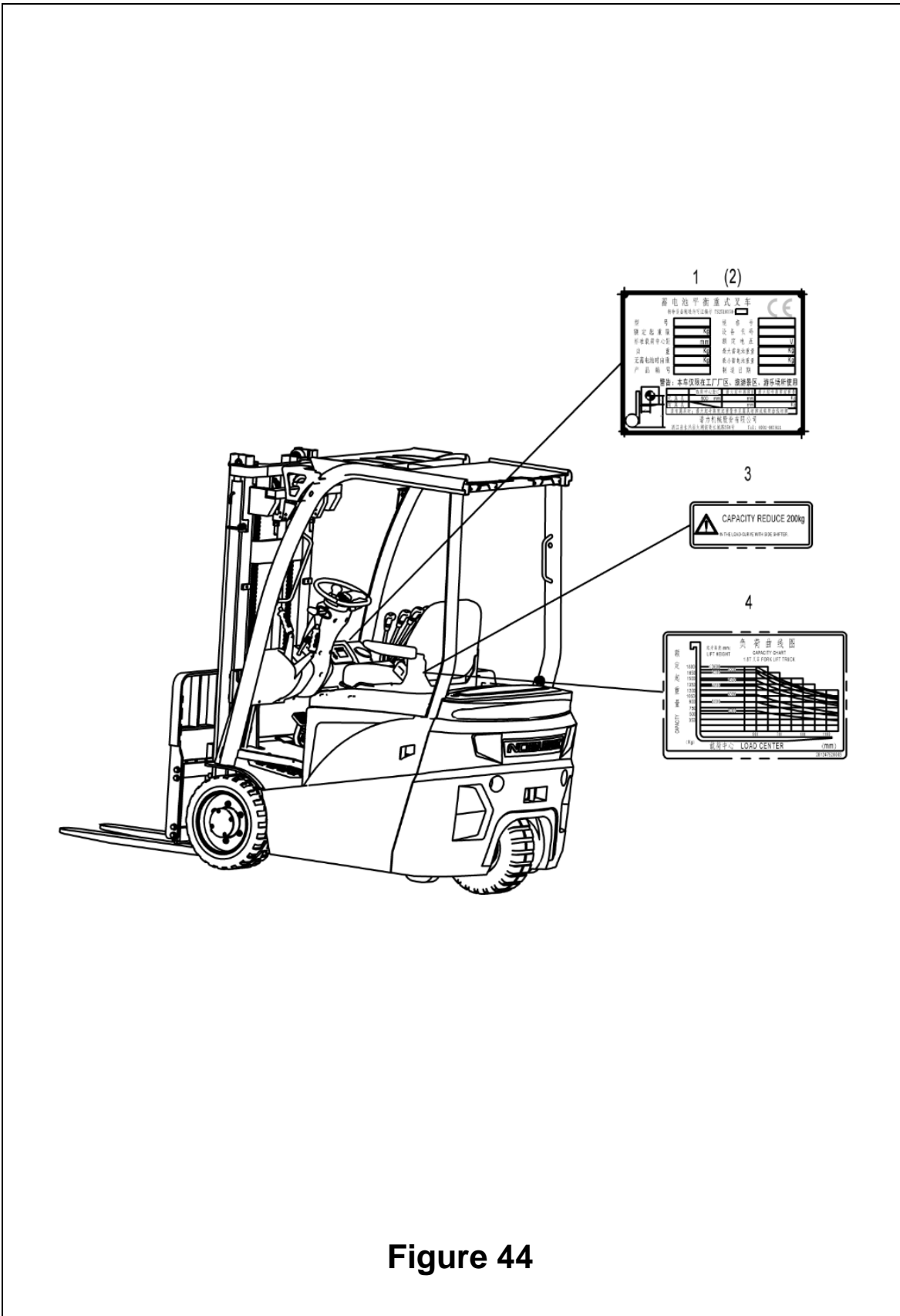


Figure 44

## Figure 44 Data nameplate

---

NO	SN	Name	QTY	Remarks
1	275247520002	Nameplate	1	▲
2	910500600002	Rivet GB827-3x10	4	▲
3	255047520004	Side shift weight loss sticker	1	▲
4	275247520004	Load curve (sticker)	1	▲



# NOBLELIFT

**NOBLELIFT INTELLIGENT EQUIPMENT CO.,LTD.**

Service hotline: 4008-836115

Wechat: nuolijixie

Postcode: 313100 Email address: [info@nobelift.com](mailto:info@nobelift.com)

Website: [www.nobelift.com](http://www.nobelift.com)

Version: Sep,2018

